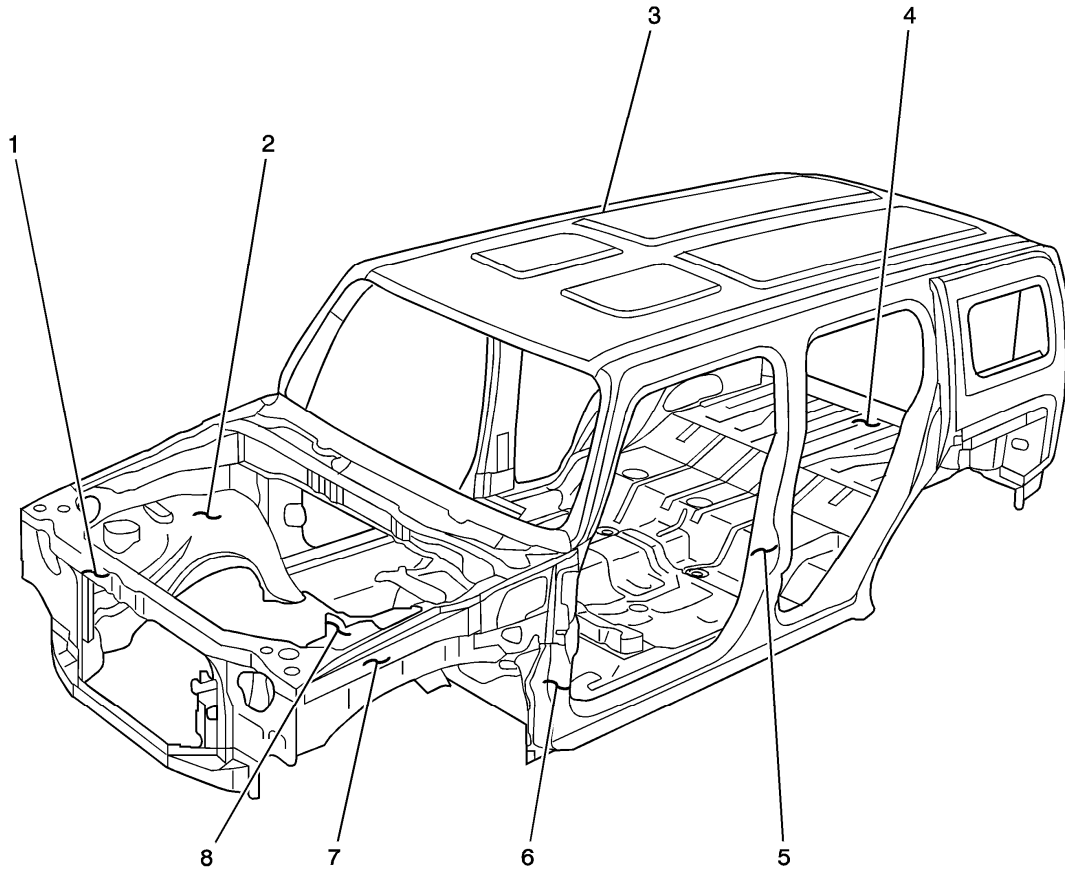


# Structure Identification



Number	Description	Material	Procedure
1	Radiator Support Assembly	Mild Steel	<ul style="list-style-type: none"> <li>• <a href="#">Radiator Support Replacement</a></li> <li>• <a href="#">Radiator Support Replacement - Lower</a></li> </ul>
2	Front Wheelhouse Assembly	Mild Steel	<a href="#">Wheelhouse Replacement - Front</a>
3	Roof Panel	Mild Steel	<a href="#">Roof Panel Replacement - Outer</a>

4	Rear Floor Panel	Mild Steel	<a href="#">Rear Compartment Floor Panel Sectioning</a>
5	Body Side Outer	Mild Steel	<ul style="list-style-type: none"> <li>• <a href="#">Windshield Frame Pillar Sectioning - Outer</a></li> <li>• <a href="#">Rocker Panel Sectioning - Outer</a></li> <li>• <a href="#">Hinge Pillar Sectioning - Front</a></li> <li>• <a href="#">Pillar Sectioning - Center</a></li> <li>• <a href="#">Pillar Sectioning - Rear</a></li> <li>• <a href="#">Quarter Panel Sectioning</a></li> </ul>
6	Hinge Pillar Reinforcement	High Strength Steel	<a href="#">Hinge Pillar Reinforcement Sectioning - Front Inner</a>
7	Upper Rail	Mild Steel	<a href="#">Rail Replacement Front Compartment - Side Upper</a>
8	Battery Tray	Mild Steel	<a href="#">Battery Tray Replacement</a>