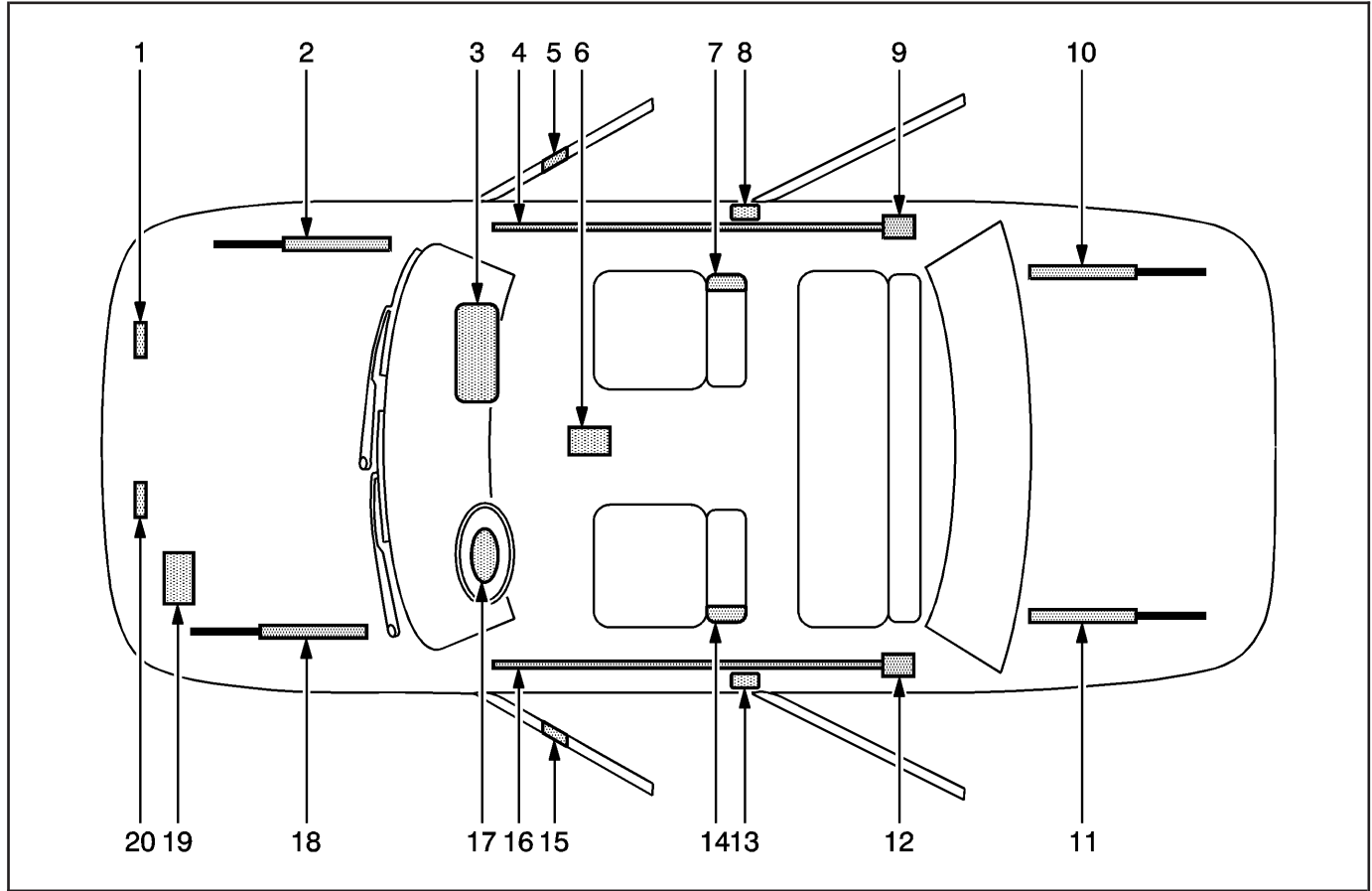


SIR Zone Identification Views

The SIR Zone Identification Views shown below illustrate the approximate location of all SIR components available for the vehicle. This will assist in determining the appropriate SIR Disabling and Enabling Zones for a given service procedure, refer to *SIR Disabling and Enabling Zones on page 1-129*.

Pontiac G6



1457000

Legend

- | | |
|---|--|
| (1) Front End Sensor—Located under the hood at the front right side of the vehicle | (8) Seat Belt Pretensioner—Located under the trim near the bottom of the center pillar on the passenger side of vehicle in the Sedan |
| (2) Front Hood Assist Rod—A gas shock located under the front hood on the passenger side | (9) Inflator Module for Roof Rail Air Bag—Located behind the garnish molding on the upper rear pillar |
| (3) I/P Air Bag—Located at the top right under the instrument panel | (10) Rear Hood Assist Rod—A gas shock located under the rear truck lid on the passenger side |
| (4) Roof Rail Air Bag—Located under the headliner, extending from the passenger front windshield pillar to the passenger rear windshield pillar | (11) Rear Hood Assist Rod—A gas shock located under the rear truck lid on the driver side |
| (5) Side Impact Sensor (SIS)—Located behind door panel on the passenger front door | (12) Inflator Module for Roof Rail Air Bag—Located behind garnish molding on the upper rear pillar |
| (6) Sensing and Diagnostic Module (SDM)—Located underneath the vehicle carpet under the center console | (13) Seat Belt Pretensioner—Located under the trim near the bottom of the center pillar on the driver side of vehicle in the Sedan |
| (7) RF Side Impact Air Bag—Located on the seat back of passenger seat | |

- (14) LF Side Impact Air Bag—Located on the seat back of driver seat
 - (15) Side Impact Sensor (SIS)—Located behind door panel on the driver front door
 - (16) Roof Rail Air Bag—Located under the headliner, extending from the driver front windshield pillar to the driver rear windshield pillar
 - (17) Steering Wheel Air Bag—Located on the steering wheel
 - (18) Front Hood Assist Rod—A gas shock located under the front hood on the driver side
 - (19) Vehicle Battery—Located at the front left of the engine compartment
 - (20) Front End Sensor—Located under the hood at the front left side of the vehicle
-