

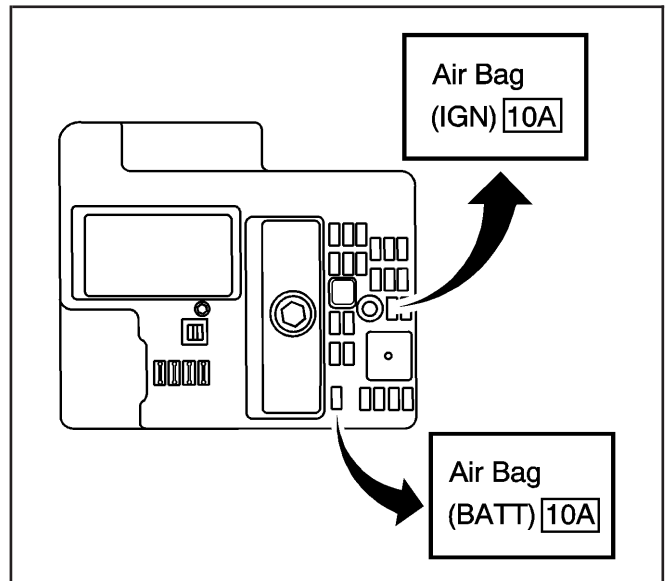
## SIR Disabling and Enabling Zone 3

### Disabling Procedure

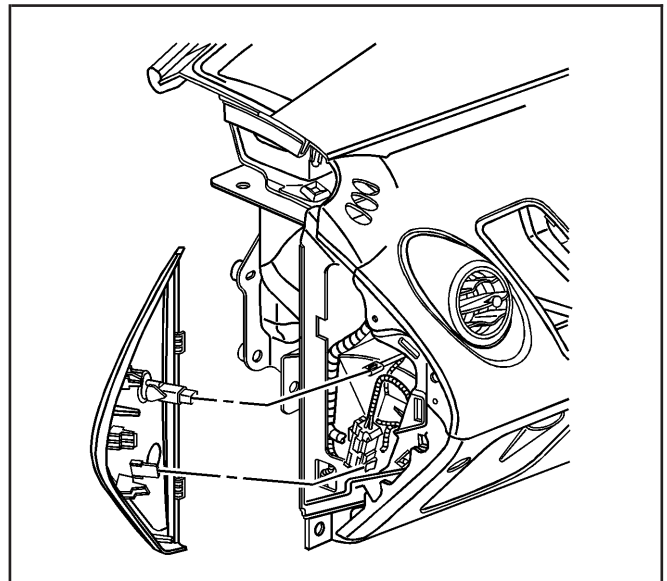
1. Turn the steering wheel so that the vehicles wheels are pointing straight ahead.
2. Turn the ignition switch to the OFF position.
3. Remove the key from the ignition switch.
4. Locate the body control module (BCM) fuse center then remove the fuse center cover.

**Important:** This inflatable restraint sensing and diagnostic module (SDM) has two fused power inputs. To ensure there is no unwanted SIR deployment, personal injury, or unnecessary SIR system repairs, remove both AIR BAG (IGN) and AIR BAG (BATT) fuses from the BCM fuse center. With the AIR BAG fuses removed and the ignition switch in the ON position, the AIR BAG warning indicator illuminates. This is normal operation, and does not indicate an SIR system malfunction.

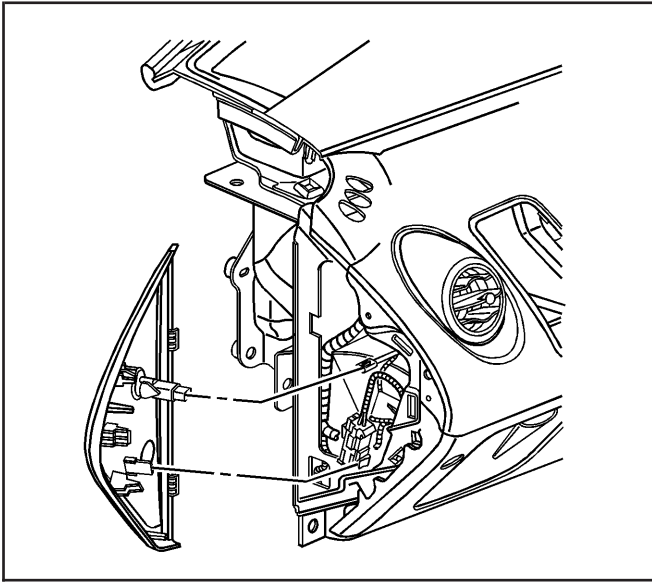
5. Locate and remove the AIR BAG (IGN) and AIR BAG (BATT) fuses from the BCM fuse center.
6. Remove the left/driver outer trim cover from the instrument panel (I/P). Refer to *Instrument Panel (I/P) Outer Trim Cover Replacement*.
7. Remove the connector position assurance (CPA) from the steering wheel module coil connector.
8. Disconnect the steering wheel module coil connector from the vehicle harness connector.



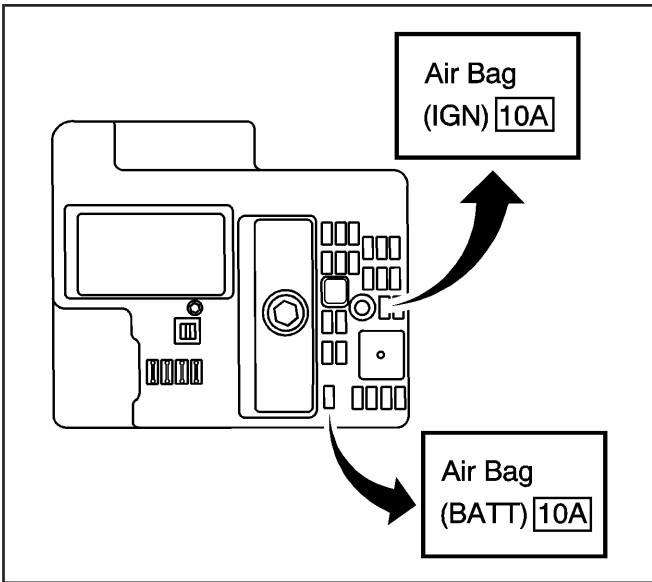
1316302



877766



877766



1316302

## Enabling Procedure

1. Remove the key from the ignition switch.
2. Connect the steering wheel module coil connector to the vehicle harness connector.
3. Install the CPA to the steering wheel module coil connector.
4. Install the left outer trim cover to the I/P. Refer to *Instrument Panel (I/P) Outer Trim Cover Replacement*.

5. Install the AIR BAG (IGN) and AIR BAG (BATT) fuses into the BCM fuse center.
6. Install the BCM fuse center cover.
7. Use caution while reaching in and turn the ignition switch to the ON position.  
The AIR BAG indicator will flash then turn OFF.
8. Perform the Diagnostic System Check – Vehicle if the AIR BAG warning indicator does not operate as described. Refer to *Diagnostic System Check - Vehicle*.