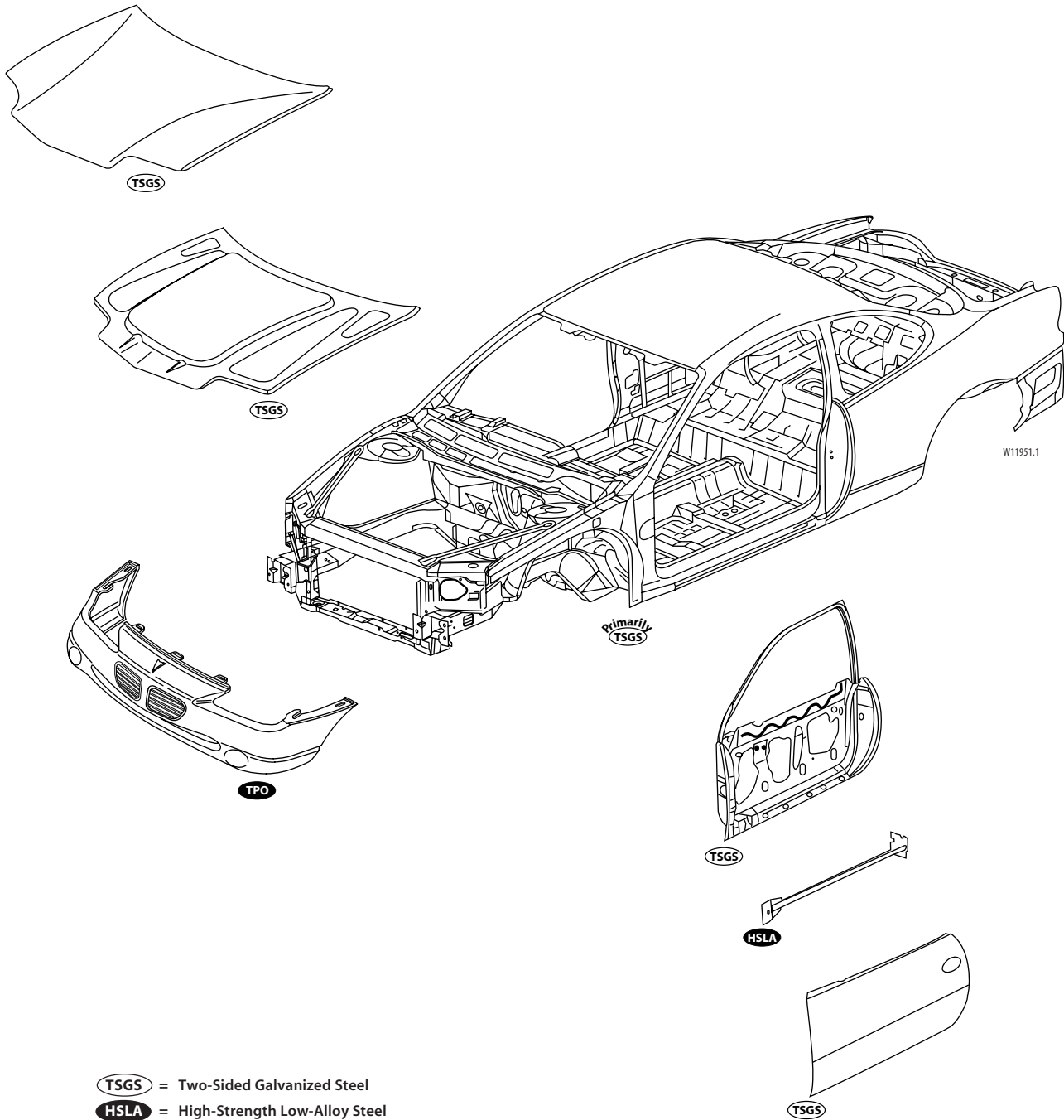
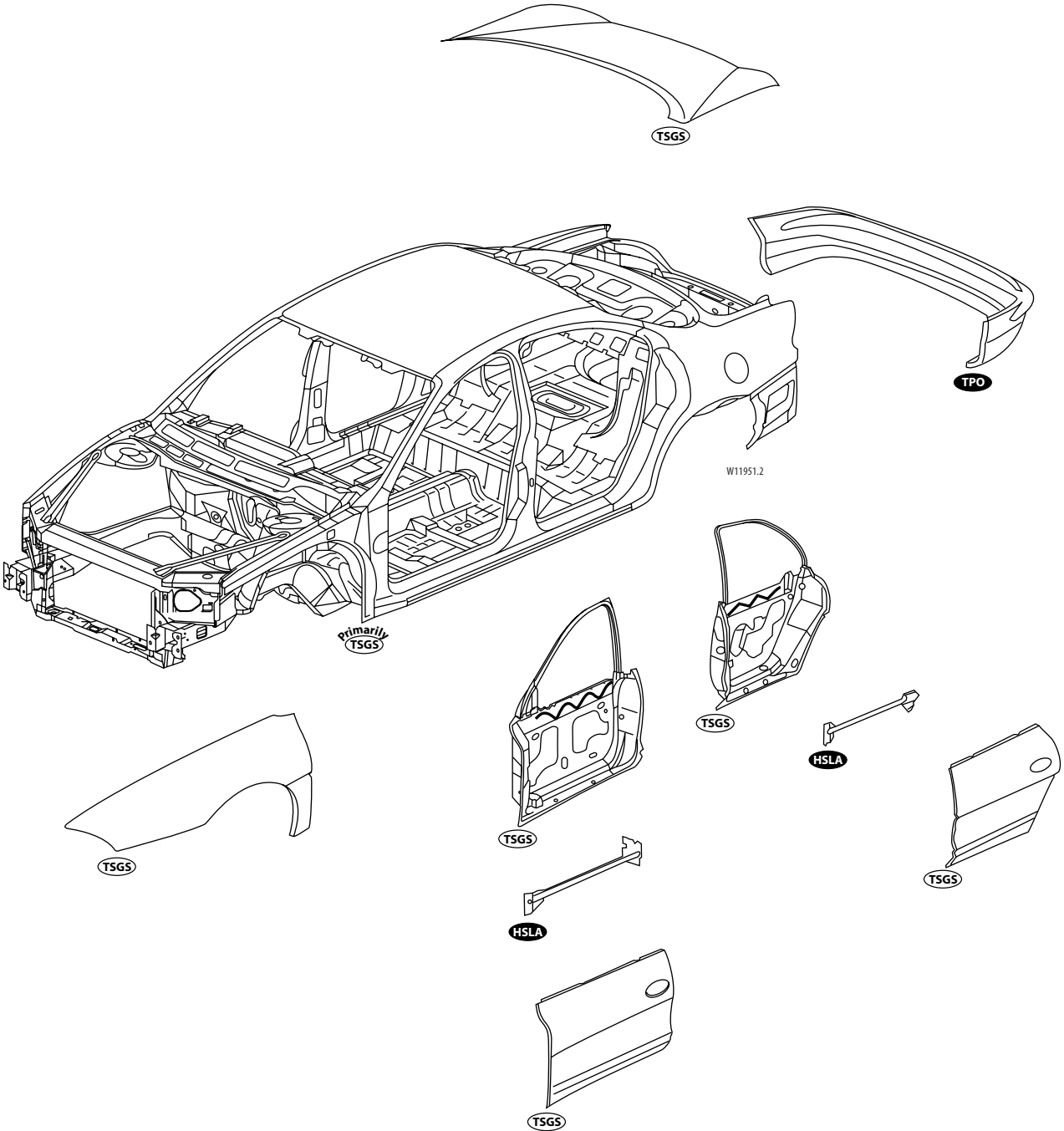


1. Panel Identification



PANEL IDENTIFICATION



- TSGS** = Two-Sided Galvanized Steel
- HSLA** = High-Strength Low-Alloy Steel
- TPO** = Thermoplastic Olefin

THE LOWER RAILS ARE MADE OF HIGH-STRENGTH LOW-ALLOY STEEL.