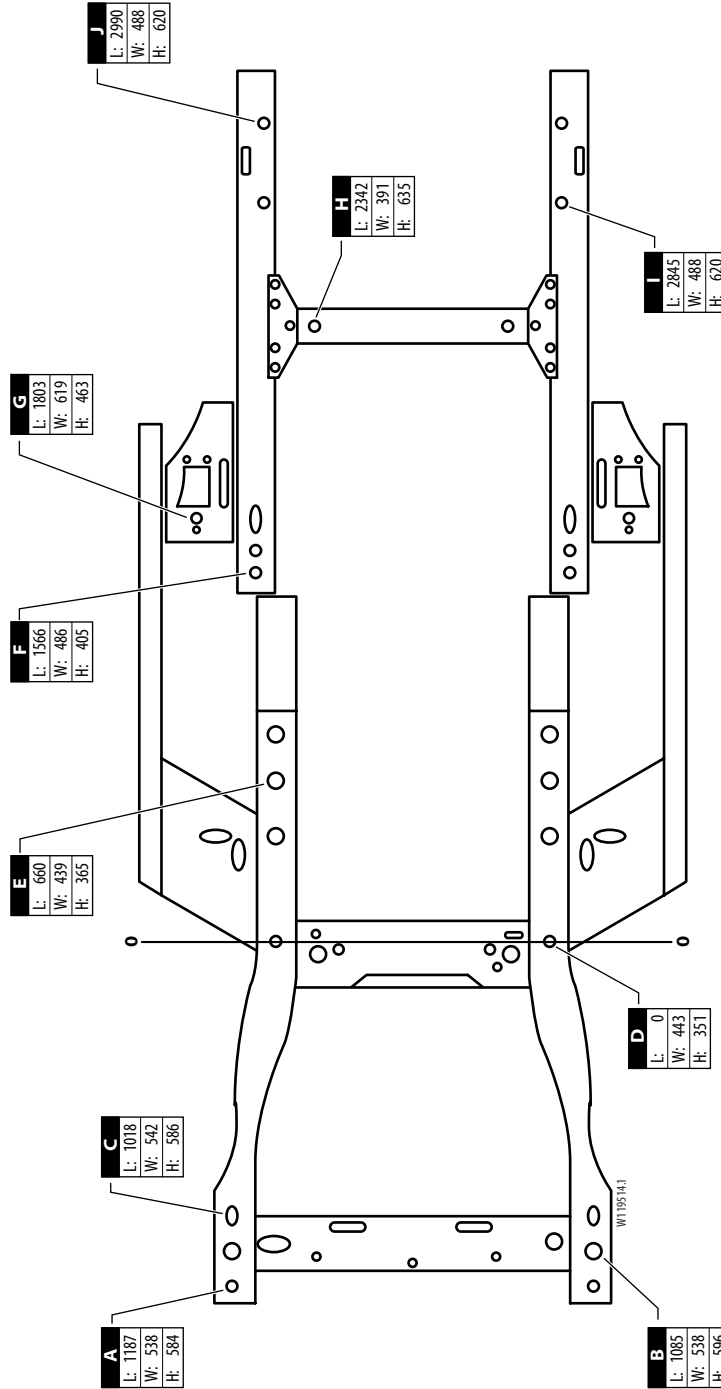


# 14. Body Dimensions

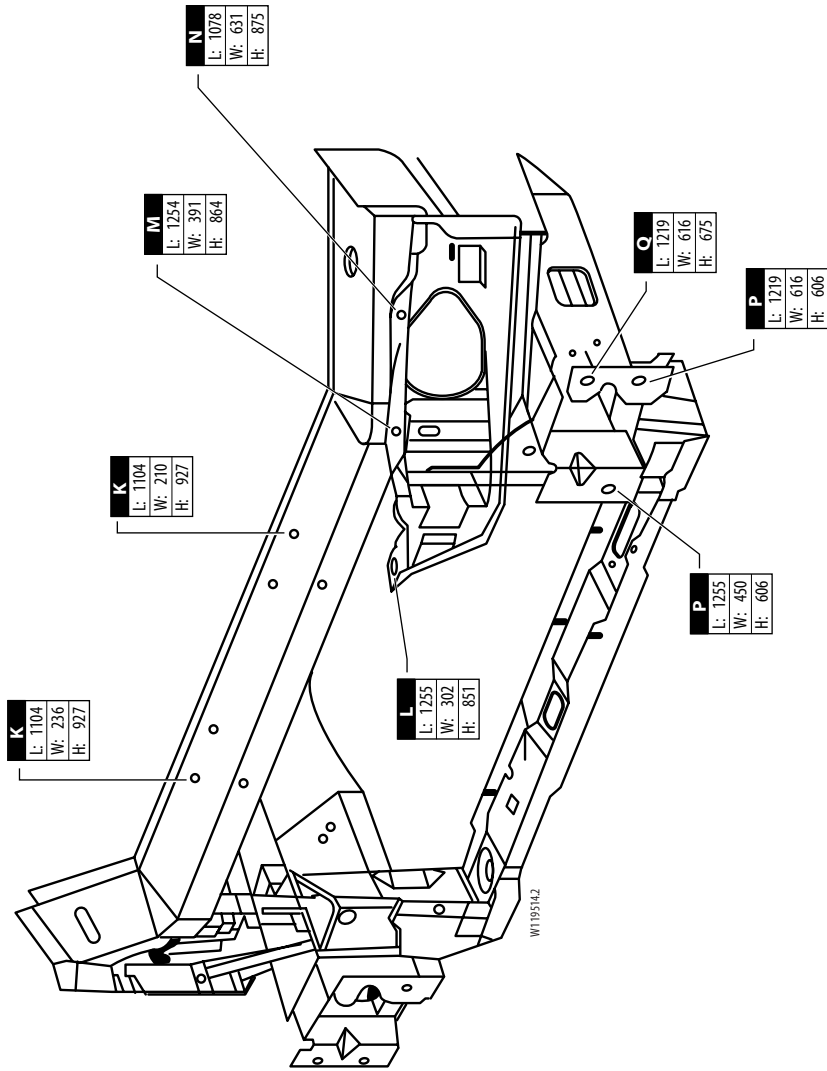
## GRAND PRIX UNDERBODY



ALL DIMENSIONS ARE MEASURED FROM A ZERO LINE, CENTER LINE, AND A COMMON DATUM. ALL DIMENSIONS ARE SYMMETRICAL UNLESS OTHERWISE SPECIFIED. SEE PAGE 44 FOR HOLE IDENTIFICATION.

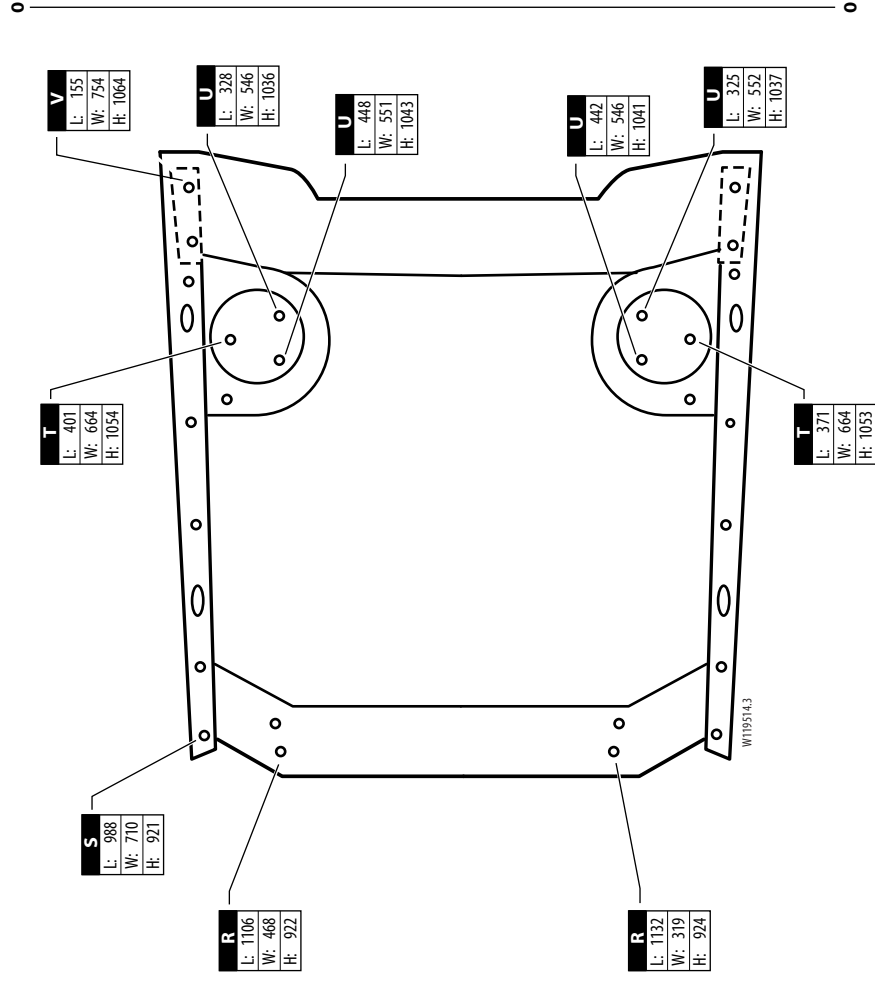
**BODY DIMENSIONS**

**GRAND PRIX FRONT**



ALL DIMENSIONS ARE MEASURED FROM A ZERO LINE, CENTER LINE, AND A COMMON DATUM.  
ALL DIMENSIONS ARE SYMMETRICAL UNLESS OTHERWISE SPECIFIED.  
SEE PAGE 44 FOR HOLE IDENTIFICATION.

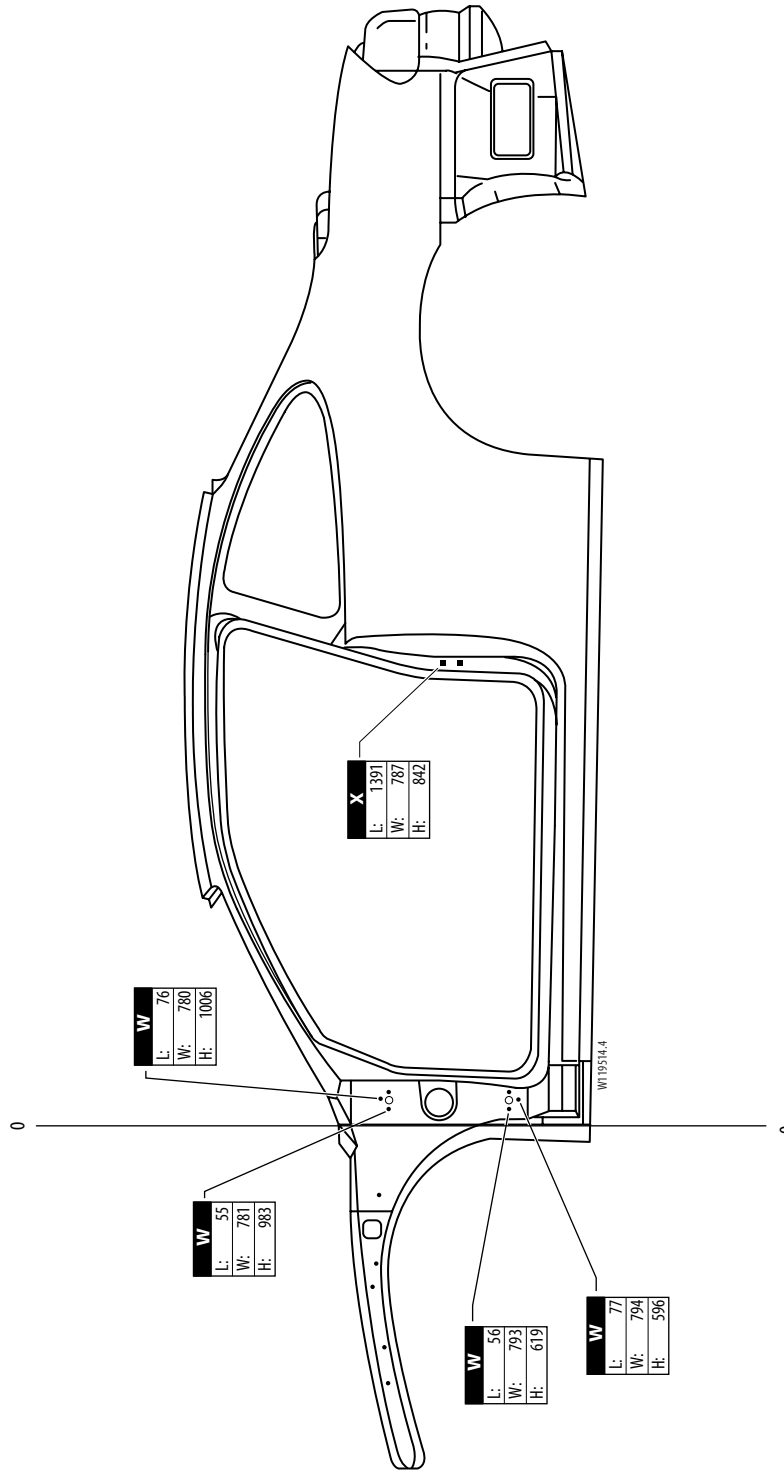
GRAND PRIX ENGINE COMPARTMENT



ALL DIMENSIONS ARE MEASURED FROM A ZERO LINE, CENTER LINE, AND A COMMON DATUM. ALL DIMENSIONS ARE SYMMETRICAL UNLESS OTHERWISE SPECIFIED. SEE PAGE 44 FOR HOLE IDENTIFICATION.

**BODY DIMENSIONS**

**GRAND PRIX COUPE SIDE**

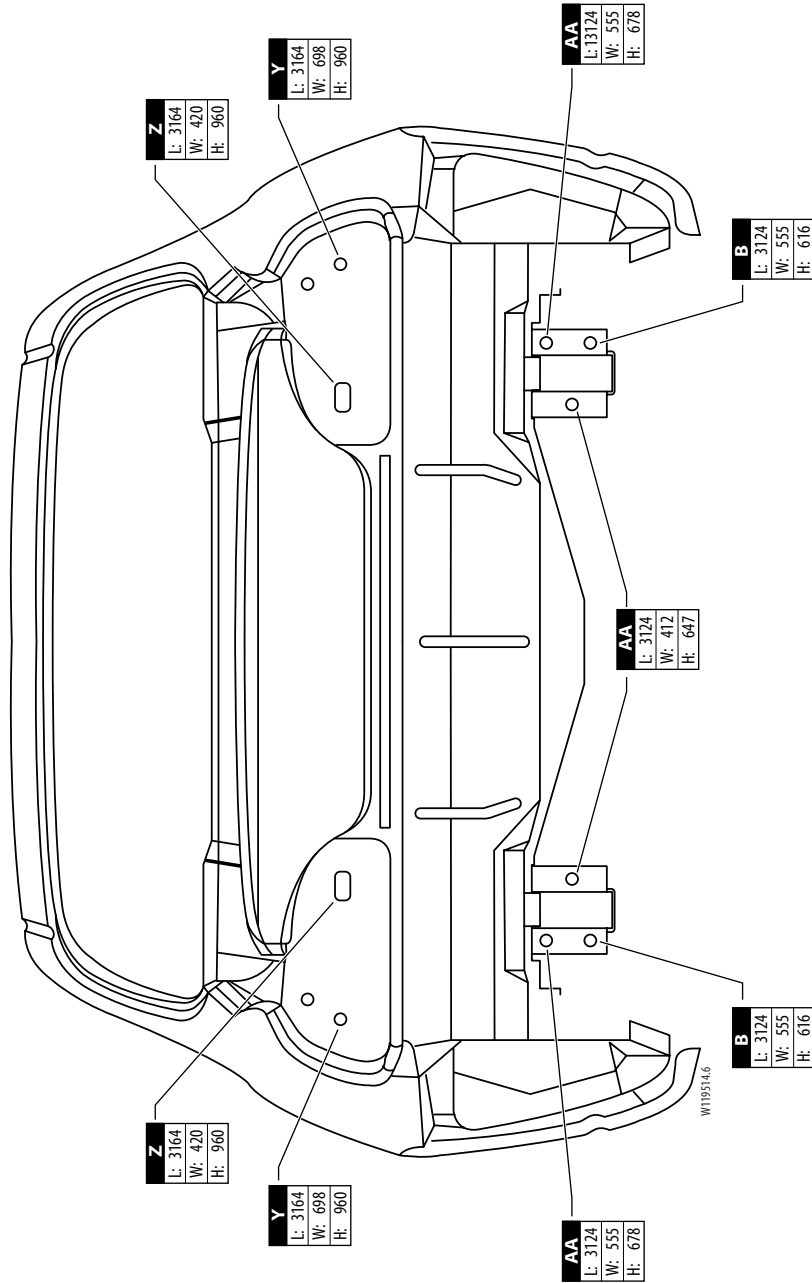


ALL DIMENSIONS ARE MEASURED FROM A ZERO LINE, CENTER LINE, AND A COMMON DATUM.  
ALL DIMENSIONS ARE SYMMETRICAL UNLESS OTHERWISE SPECIFIED.  
SEE PAGE 44 FOR HOLE IDENTIFICATION.



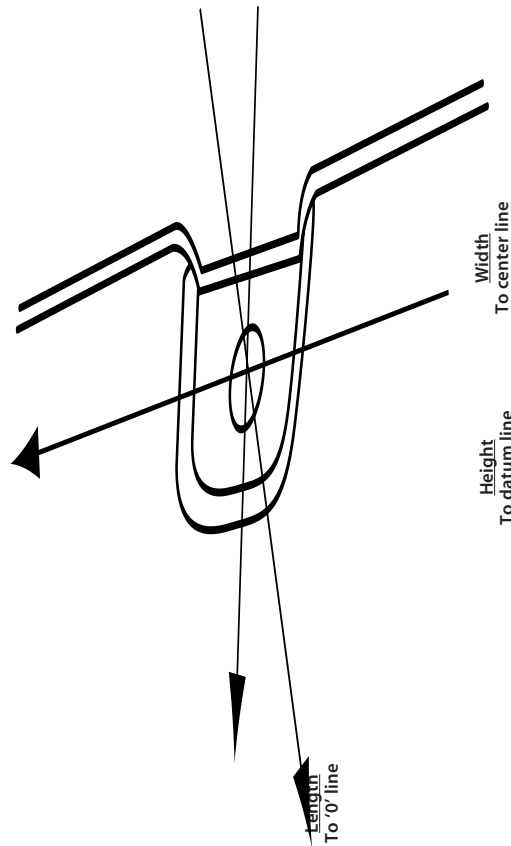
**BODY DIMENSIONS**

**GRAND PRIX REAR**



ALL DIMENSIONS ARE MEASURED FROM A ZERO LINE, CENTER LINE, AND A COMMON DATUM.  
 ALL DIMENSIONS ARE SYMMETRICAL UNLESS OTHERWISE SPECIFIED.  
 SEE PAGE 44 FOR HOLE IDENTIFICATION.

FORM AND PIERCE



ALL MEASUREMENTS ARE READ FROM FORMED SURFACE AND CENTER OF HOLE

ALL DIMENSIONS ARE MEASURED FROM A ZERO LINE, CENTER LINE, AND A COMMON DATUM.  
ALL DIMENSIONS ARE SYMMETRICAL UNLESS OTHERWISE SPECIFIED.  
SEE PAGE 44 FOR HOLE IDENTIFICATION.

# 1997 Pontiac Grand Prix Hole Identification Chart

Letter	Quantity		Feature Size	Usage
	Right	Left		
A	1	1	38mm	Gage hole
B	1	1	22mm	Cradle attach.
C	1	1	12mm x 18mm slot	Gage slot
D	1	1	12mm	Gage hole
E	3	3	16mm	Gage hole
F	2	2	19mm	Gage hole
G	1	1	12mm	Gage hole
H	1	1	30mm	Gage hole
I	1	1	18mm x 21mm slot	Gage slot
J	1	1	19mm x 23mm slot	Gage slot
K	6 per side		7mm (punched hole)	Upper engine mounting attach.
L	1 per side		5.4mm	Front upper fascia attach.
M	1 per side		6.3mm	Headlight bracket attach.
N	1 per side		6.3mm	Headlight bracket attach.
P	2 per side		16mm	Bumper bar attach.
Q	1 per side		9mm x 18 mm	Bumper bar attach.
R	2 per side		Weld nuts	Support brace
S	6 per side		5mm (punched hole)	Fender attach.
T	1 per side		12mm	Front suspension attach.
U	2 per side		12mm x 15mm slot	Front suspension attach.
V	2 per side		Weld nuts	Hood hinge attach.
W	8 per side		Hinge mount (4 per side for two-door)	Door attach.
X	4 per side		Clinch nut	Lock striker attach.
Y	2 per side		5.5mm	Tail light
Z	1 per side		5.5mm x 11mm slot	Tail light
AA	2 per side		17mm	Rear bumper attach.
BB	2 per side		9mm x 16mm slot (left side) 9mm hole (right side)	Rear bumper attach.