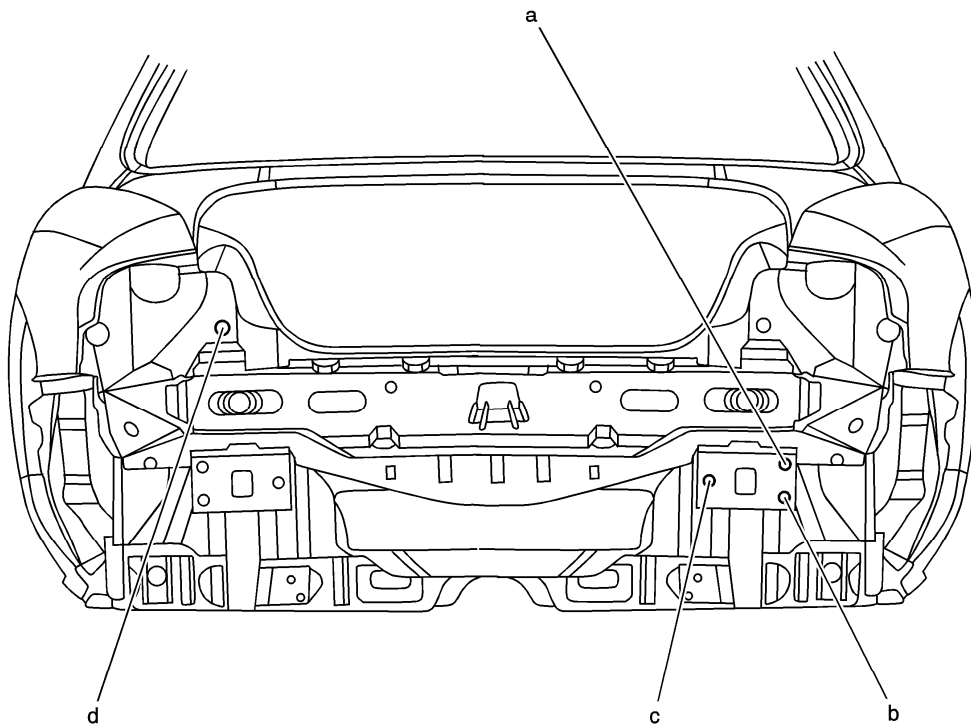


Dimensions - Body

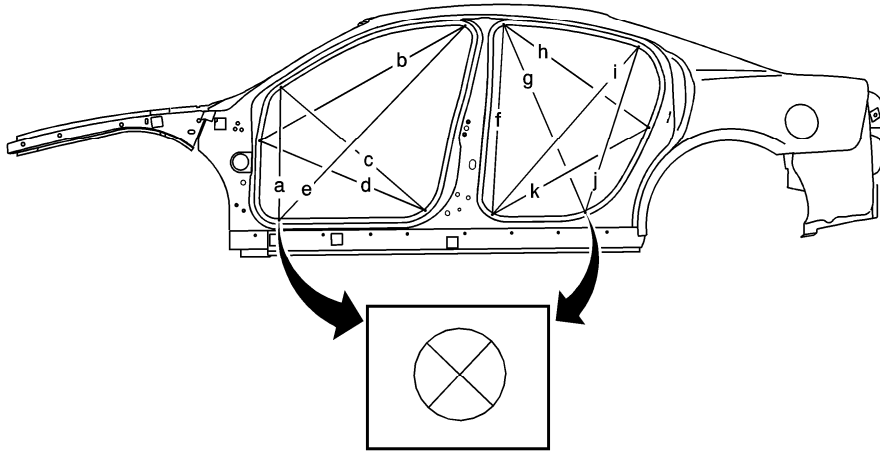
Rear End Panel



Location	Description	Length	Width	Height
a	Rear Bumper Mount Attach	3162	555	678
b	Rear Bumper Mount Attach	3162	555	616
c	Rear Bumper Mount Attach	3162	412	647
d	Tail Lamp Attach	3142	639	1033

All dimensions are measured from a zero line, a center line, and a common datum. All dimensions are symmetrical unless otherwise specified.

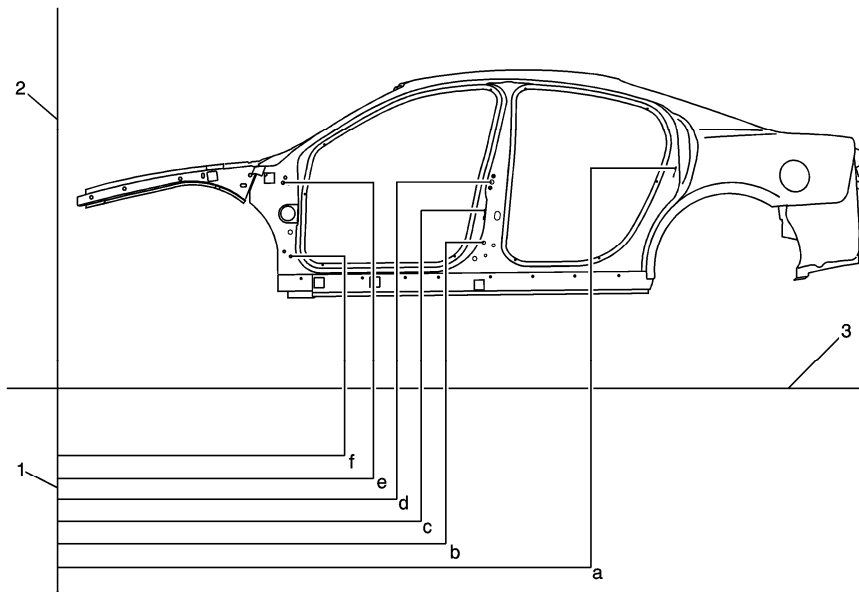
Point to Point Measurements



Location	Length
a	629
b	1148
c	903
d	856
e	1302
f	928
g	994
h	867
i	1095
j	854
k	868

All dimensions are measured from a zero line, a center line, and a common datum. All dimensions are symmetrical unless otherwise specified.

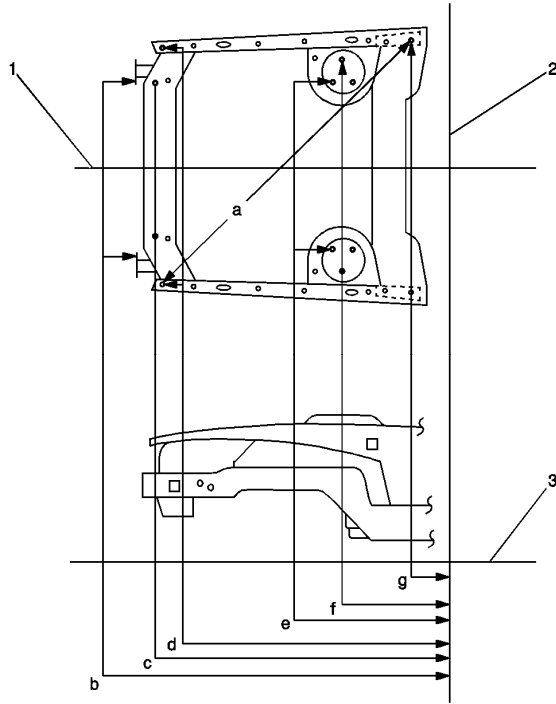
Dimensions - Body



Location	Description	Length (mm)	Width (mm)	Height (mm)
1	Zero Line	--	--	--
2	Center Line	--	--	--
3	Datum Line	--	--	--
a	Upper Door Lock Striker Attach	2135	796	1049
b	Door Hinge Attach	1104	812	668
c	Upper Door Lock Striker Attach	1115	797	823
d	Door Hinge Attach	1148	810	982
e	Door Hinge Attach	53	790	982
f	Door Hinge Attach	92	803	600

All dimensions are measured from a zero line, a center line, and a common datum. All dimensions are symmetrical unless otherwise specified.

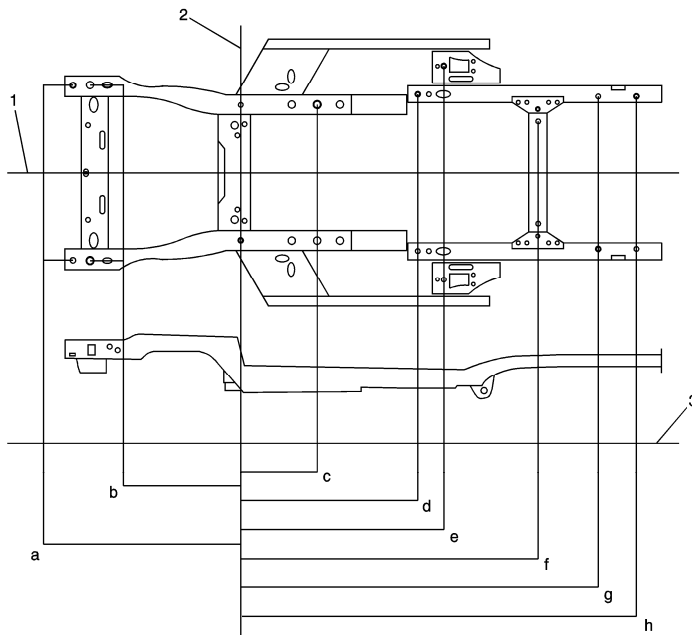
Engine Compartment Dimensions



Location	Description	Length (mm)	Width (mm)	Height (mm)
1	Center Line	--	--	--
2	Zero Line	--	--	--
3	Datum Line	--	--	--
a	Point to Point	1687	0	0
b	Bumper Attachment	1252	450	606
c	Support Brace Attachment	1104 R	468 R	919 R
		1130 L	319 L	917 L
d	Fender Attachment	988	708	921
e	Suspension Attachment	448	551	1043
f	Suspension Attachment	401	664	1054
g	Hood Hinge Attachment	155	754	1064

All dimensions are measured from a zero line, center line, and a common datum. All dimensions are symmetrical unless otherwise specified.

Underbody Dimensions



Location	Description	Length (mm)	Width (mm)	Height (mm)
1	Center Line	--	--	--
2	Zero Line	--	--	--
3	Datum Line	--	--	--
a	Cradle Attach	1023	538	585
b	Cradle Attach	1195	538	585
c	Center Line	0	443	351
d	Gage Hole	660	439	363
e	Gage Hole	1604	487	406
f	Gage Hole	1842	619	463
g	Gage Slot	2380	391	632
h	Gage Slot	2843	489	620

All dimensions are measured from a zero line, center line, and a common datum. All dimensions are symmetrical unless otherwise specified.