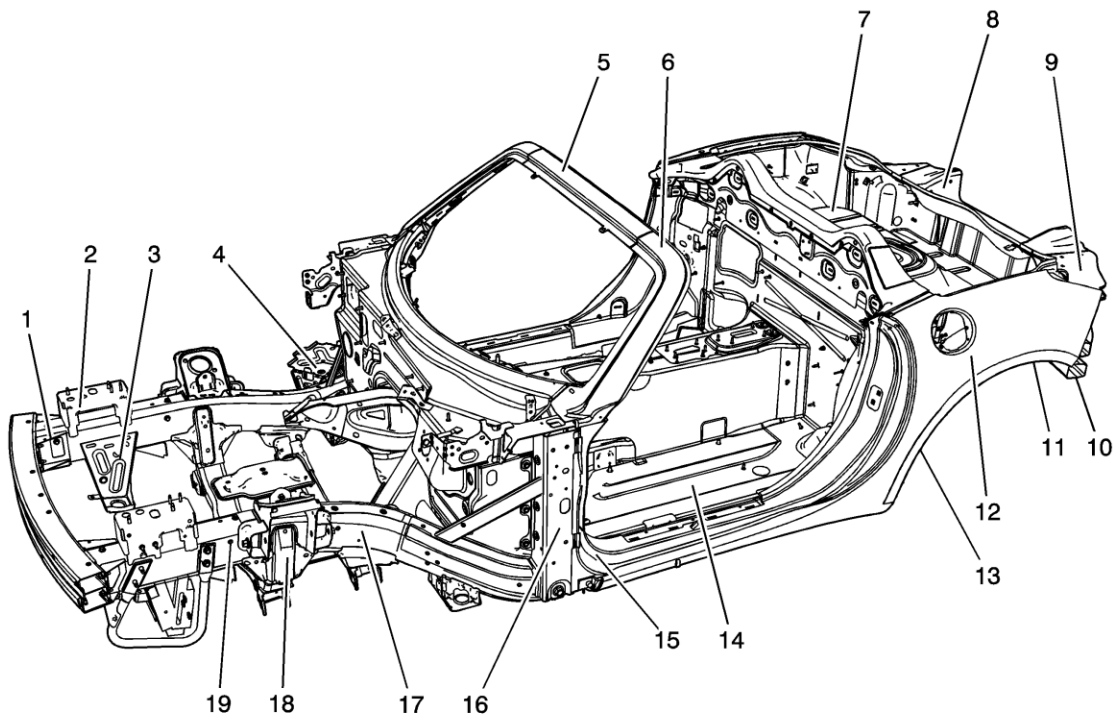


## Structure Identification



<b>Number</b>	<b>Description</b>	<b>Material</b>	<b>Procedure</b>
1	Front Impact Bar	<a href="#">High Strength Low Alloy Steel</a>	<a href="#">Front Bumper Impact Bar Bracket Replacement</a>
2	Hood Hinge Bracket	<a href="#">High Strength Low Alloy Steel</a>	<a href="#">Hood Hinge Bracket Replacement</a>
3	Radiator Lower Support	<a href="#">Mild Steel</a>	<a href="#">Radiator Lower Support Replacement</a>
4	Battery Tray	<a href="#">High Strength Low Alloy Steel</a>	<a href="#">Battery Tray Replacement</a>
5	Windshield Panel Upper	<a href="#">Mild Steel</a>	<a href="#">Windshield Frame Header Front Panel Replacement</a>
6	Windshield Panel Replacement - Lower	<a href="#">Mild Steel</a>	<a href="#">Windshield Lower Panel Replacement</a>
7	Rear Compartment Panel	<a href="#">Sheet Molding Compound (SMC) Panel Bonding</a>	<a href="#">Rear Compartment Panel Replacement</a>
8	Rear End Panel	<a href="#">Mild Steel</a>	<a href="#">Rear End Panel Replacement</a>
9	Quarter Panel Filler	<a href="#">Mild Steel</a>	<a href="#">Quarter Panel Filler Replacement - Lower</a>
10	Rear Impact Bar	<a href="#">Ultra High Strength Steel</a>	<a href="#">Rear Bumper Impact Bar Replacement</a>
11	Rear Rail End	<a href="#">Dual Phase Steel</a>	<a href="#">Rear Rail End Replacement</a>
12	Quarter Panel	<a href="#">Mild Steel</a>	<a href="#">Quarter Outer Panel Replacement</a>
13	Rear Rail Section	<a href="#">Dual Phase Steel</a>	<a href="#">Rail Replacement - Rear Section</a>
14	Floor Panel	<a href="#">Mild Steel</a>	<a href="#">Floor Panel Replacement</a>
15	Front Hinge Pillar Reinforcement	<a href="#">Mild Steel</a>	<a href="#">Front Hinge Pillar Body Reinforcement Replacement</a>
16	Front Hinge Pillar	<a href="#">High Strength Low Alloy Steel</a>	<a href="#">Front Hinge Pillar Body Replacement</a>
17	Front Rail Section	<a href="#">Dual Phase Steel</a>	<a href="#">Rail Replacement - Front Section</a>
18	Front Suspension Crossmember	<a href="#">High Strength Low Alloy Steel</a>	<a href="#">Front Suspension Crossmember Replacement</a>
19	Front Rail End	<a href="#">Dual Phase Steel</a>	<a href="#">Front Rail End Replacement</a>

