

# Dimensions - Body

## Three Dimensional Distance -- X, Y, Z

This universal measuring system is capable of simultaneously dimensioning the length, width, and height of a datum plane. Three dimensional distances are used for both underbody and upperbody measuring.

X = Fore and aft measurements along the center line of the vehicle. An O plane is located forward of the master gage hole at the front of the vehicle 2185 mm as shown. All measurements are made from this plane toward the rear of the vehicle.

Y = Cross car dimensions. Positive values are measured from the center of the vehicle to the right side of the vehicle. Negative values are measured from the center of the vehicle to the left side. When values are not listed separately to change the side of the vehicle, you need only to change the Y dimensions to the opposite value, + or -, from what is listed.

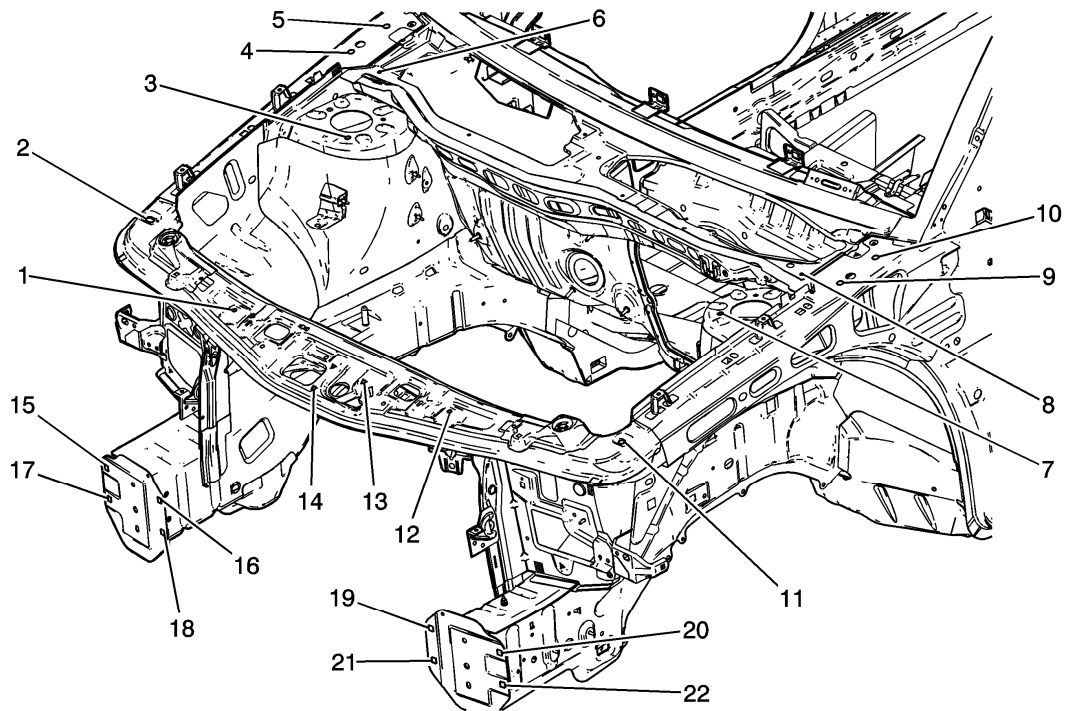
Z = Vertical measurement from the datum plane that is 368 mm below the rocker panel lower flange edge (O plane).

All dimensions are symmetrical, unless otherwise noted.

In order to properly repair the spaceframe, restore the vehicle to the XYZ dimensions, as originally built. Relational (linear) dimensions are for reference only. Use relational dimensions for diagnosis or inspection only. Relational dimensions are not as accurate as XYZ dimensions and measuring systems.

The gage holes shown are the actual fixture locations that are used to build the vehicle.

Front Compartment

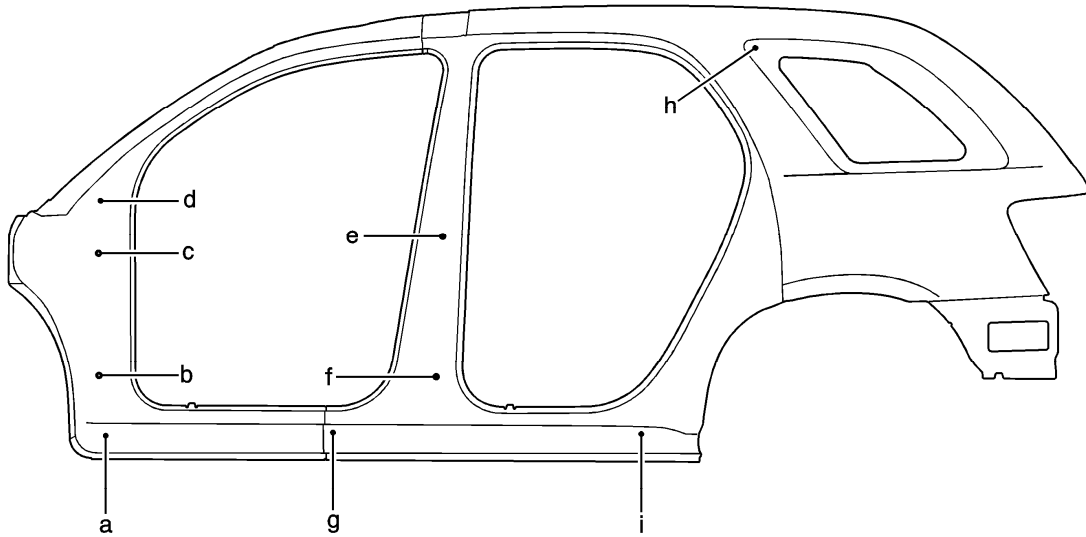


Location	Description	Length = x	Width = y	Height = z	Point to Point
1	Hole	1100	314	879	x
2	Hole	1225	689	889	x
3	Strut Attachment Hole	1648	544	934	x
4	Hood Hinge Hole	1829	714	982	x
5	Hood Hinge Hole	1930	714	993	x
6	Air Inlet Grille Attachment Hole	1849	600	975	x
7	Strut Attachment Hole	1648	-544	934	x
8	Air Inlet Grille Attachment Hole	1813	-616	975	x
9	Hood Hinge Hole	1829	-714	982	x
10	Hood Hinge Hole	1930	-714	993	x
11	Hole	1225	-689	889	x

12	Hole	1100	-314	879	x
13	Hood Striker Attachment Hole	1080	-83	869	x
14	Hood Striker Attachment Hole	1018	1	852	x
15	Impact Bar Attachment Hole	946	574	480	x
16	Impact Bar Attachment Hole	924	396	480	x
17	Impact Bar Attachment Hole	946	574	405	x
18	Impact Bar Attachment Hole	924	396	405	x
19	Impact Bar Attachment Hole	924	-396	480	x
20	Impact Bar Attachment Hole	946	-396	480	x
21	Impact Bar Attachment Hole	924	-574	405	x
22	Impact Bar Attachment Hole	946	-574	405	x
15 to 20	x	x	x	x	1143
18 to 21	x	x	x	x	787
2 to 11	x	x	x	x	1380
4 to 11	x	x	x	x	1522
2 to 9	x	x	x	x	1525

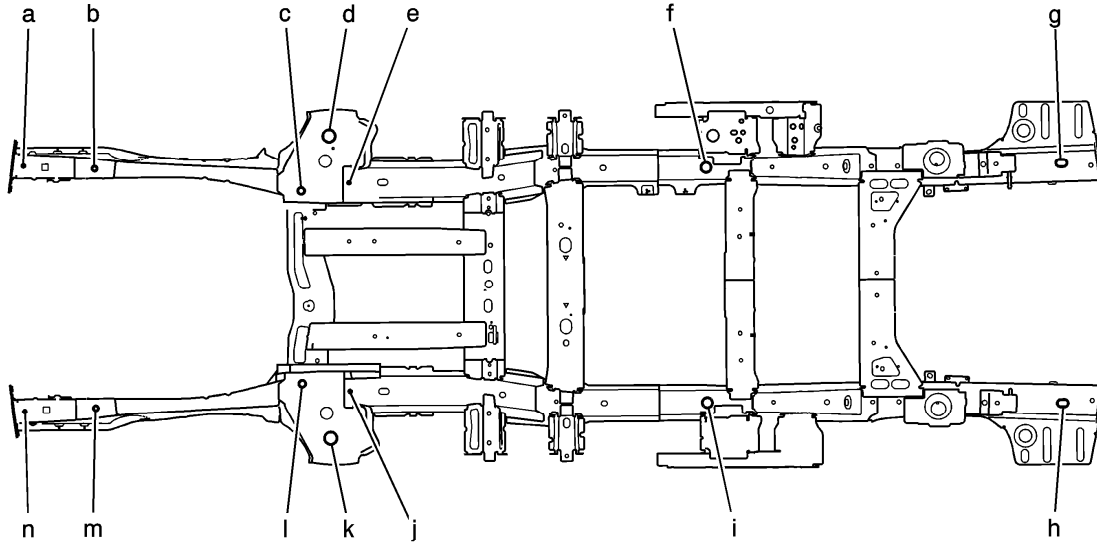
All dimensions are measured from a zero line, a center line, and a common datum. All dimensions are symmetrical unless otherwise specified.

## Body Side



Location	Length
a-g	711 mm
a-i	1620 mm
b-f	1056 mm
b-e	1167 mm
b-c	377 mm
c-e	1073 mm
c-f	1116 mm
d-h	2102 mm
e-f	432 mm
e-i	831 mm
f-h	1410 mm

Underbody



Location	Description	Length = x	Width = y	Height = z	Point to Point
a	Hole	979	-486	342	x
b	Hole	1261	-474	287	x
c	Hole	2081	-382	230	x
d	Hole	2192	-600	192	x
f	Hole	3688	-466	205	x
g	Hole	5100	-475	354	x
h	Hole	5100	475	354	x
i	Hole	3688	466	205	x
k	Hole	2192	600	192	x
l	Hole	2081	382	230	x
m	Hole	1261	474	287	x
n	Hole	979	486	342	x
a to g	x	x	x	x	4128 mm

a to e	x	x	x	x	1288 mm
a to j	x	x	x	x	1568 mm
b to l	x	x	x	x	1185 mm
c to m	x	x	x	x	1185 mm
d to f	x	x	x	x	1502 mm
d to i	x	x	x	x	1837 mm
e to i	x	x	x	x	1585 mm
e to n	x	x	x	x	1568 mm
f to g	x	x	x	x	1419 mm
f to j	x	x	x	x	1585 mm
f to k	x	x	x	x	1837 mm
f to h	x	x	x	x	1703 mm
g to i	x	x	x	x	1703 mm
h to i	x	x	x	x	1419 mm
h to n	x	x	x	x	4128 mm
i to k	x	x	x	x	1502 mm
j to n	x	x	x	x	1288 mm