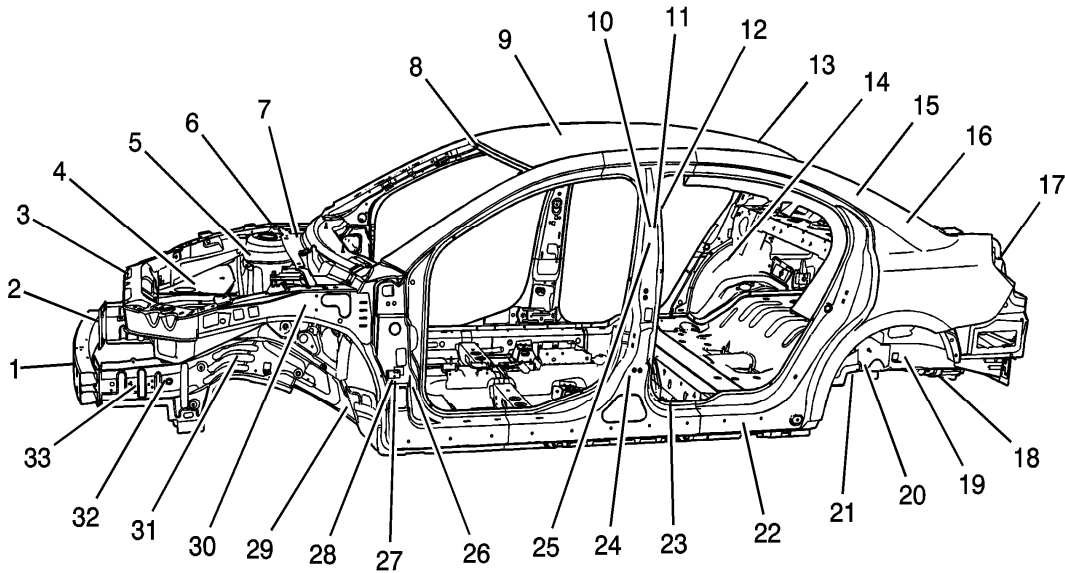


Structure Identification



Number	Description	Procedure
1	Front Bumper Impact Bar	Front Bumper Impact Bar Replacement
2	Front Bumper Impact Bar Bracket	Front Bumper Impact Bar Bracket Replacement
3	Tie Bar	Tie Bar Replacement
4	Front Wheelhouse	Front Wheelhouse Replacement
5	Front Wheelhouse Extension	Front Wheelhouse Extension Replacement
6	Front Compartment Upper Side Rail	Front Compartment Upper Side Rail Replacement

7	Plenum Upper Panel	Plenum Upper Panel Replacement
8	Windshield Frame Header Front Pane	Windshield Frame Header Front Panel Replacement
9	Roof Outer Panel	Roof Outer Panel Replacement
10	Body Lock Pillar Outer Panel Reinforcement	Body Lock Pillar Outer Panel Reinforcement Replacement
11	Body Lock Pillar Outer Panel Reinforcement Sectioning	Body Lock Pillar Outer Panel Reinforcement Sectioning
12	Body Lock Pillar Inner Panel Sectioning	Body Lock Pillar Inner Panel Sectioning Replacement
13	Rear Window Frame Header Rear Panel	Rear Window Frame Header Rear Panel Replacement
14	Wheelhouse - Rear Inner	Wheelhouse Replacement - Rear Inner
15	Quarter Panel Sectioning - Outer	Quarter Panel Sectioning - Outer
16	Quarter Panel - Inner	Quarter Panel Replacement - Inner
17	Body Rear End Panel	Body Rear End Panel Replacement
18	Rear Compartment Floor Panel Sectioning	Rear Compartment Floor Panel Sectioning
19	Rail Sectioning Rear Side Underbody	Rail Sectioning Rear Side Underbody
20	Rail Replacement Rear Side Underbody	Rail Sectioning Rear Side Underbody
21	Cross Bar No. 5 - Floor Panel	Cross Bar No.5 Replacement - Floor Panel
22	Rocker Inner Reinforcement	Rocker Inner Panel Reinforcement Replacement
23	Rocker Inner Panel	Rocker Inner Panel Replacement
24	Body Lock Pillar Outer Panel Sectioning	Body Lock Pillar Outer Panel Sectioning
25	Pillar Reinforcement - Center	Pillar Replacement - Center Reinforcement
26	Front Hinge Pillar Body Sectioning	Front Hinge Pillar Body Sectioning
27	Front Inner Hinge Pillar Sectioning	Front Inner Hinge Pillar Sectioning
28	Front Inner Hinge Pillar Body	Front Inner Hinge Pillar Body Replacement
29	Front Compartment Front Rail	Front Compartment Front Rail Replacement
30	Rail Replacement - Upper	Rail Replacement - Upper
31	Underbody Outer Front Side Rail	Underbody Outer Front Side Rail

		Replacement
32	Front Compartment Front Rail Sectioning	Front Compartment Front Rail Sectioning
33	Front Compartment Front Half Rail	Front Compartment Front Half Rail Replacement