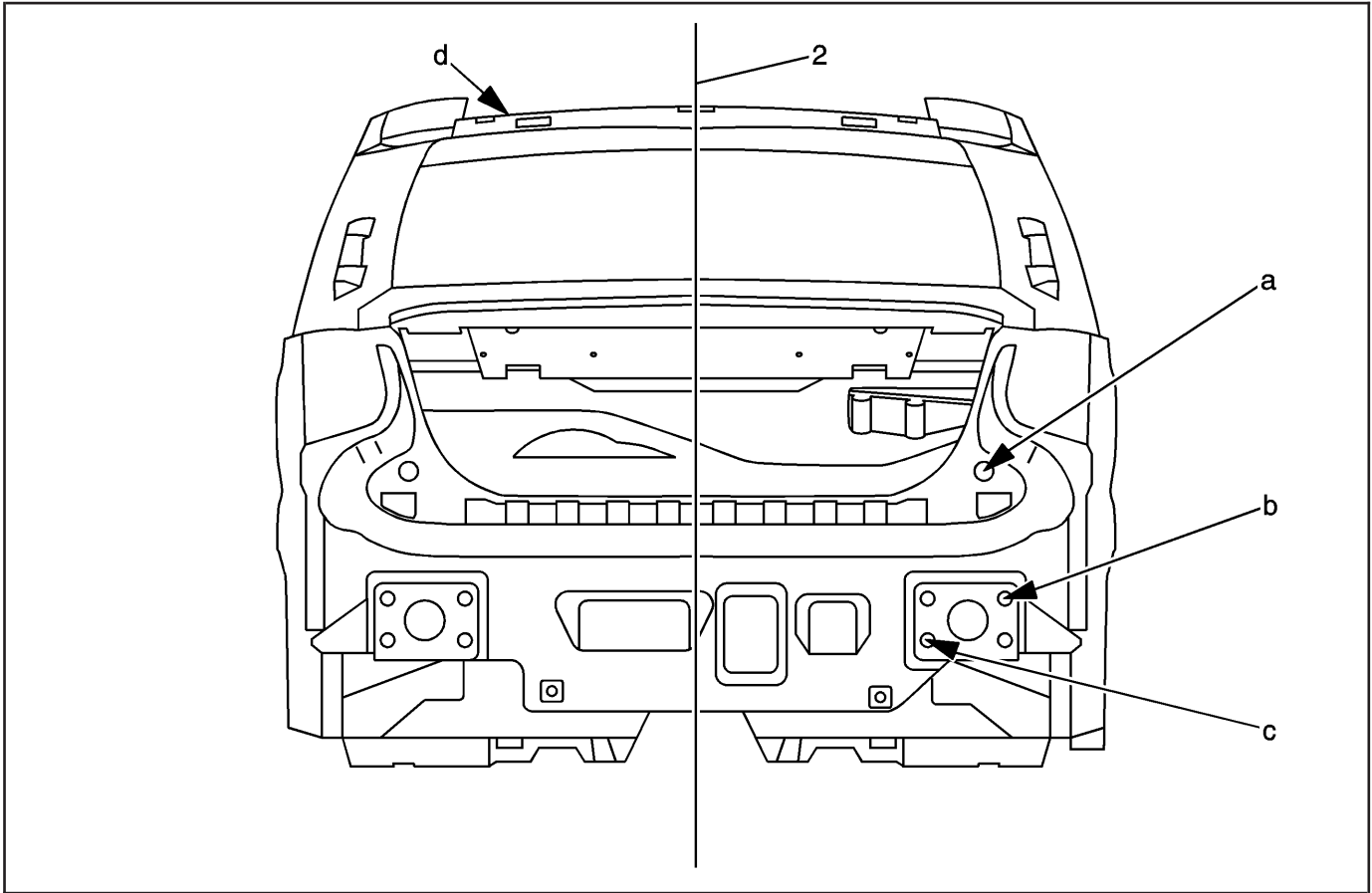


# Specifications

## Dimensions - Body

### Rear End

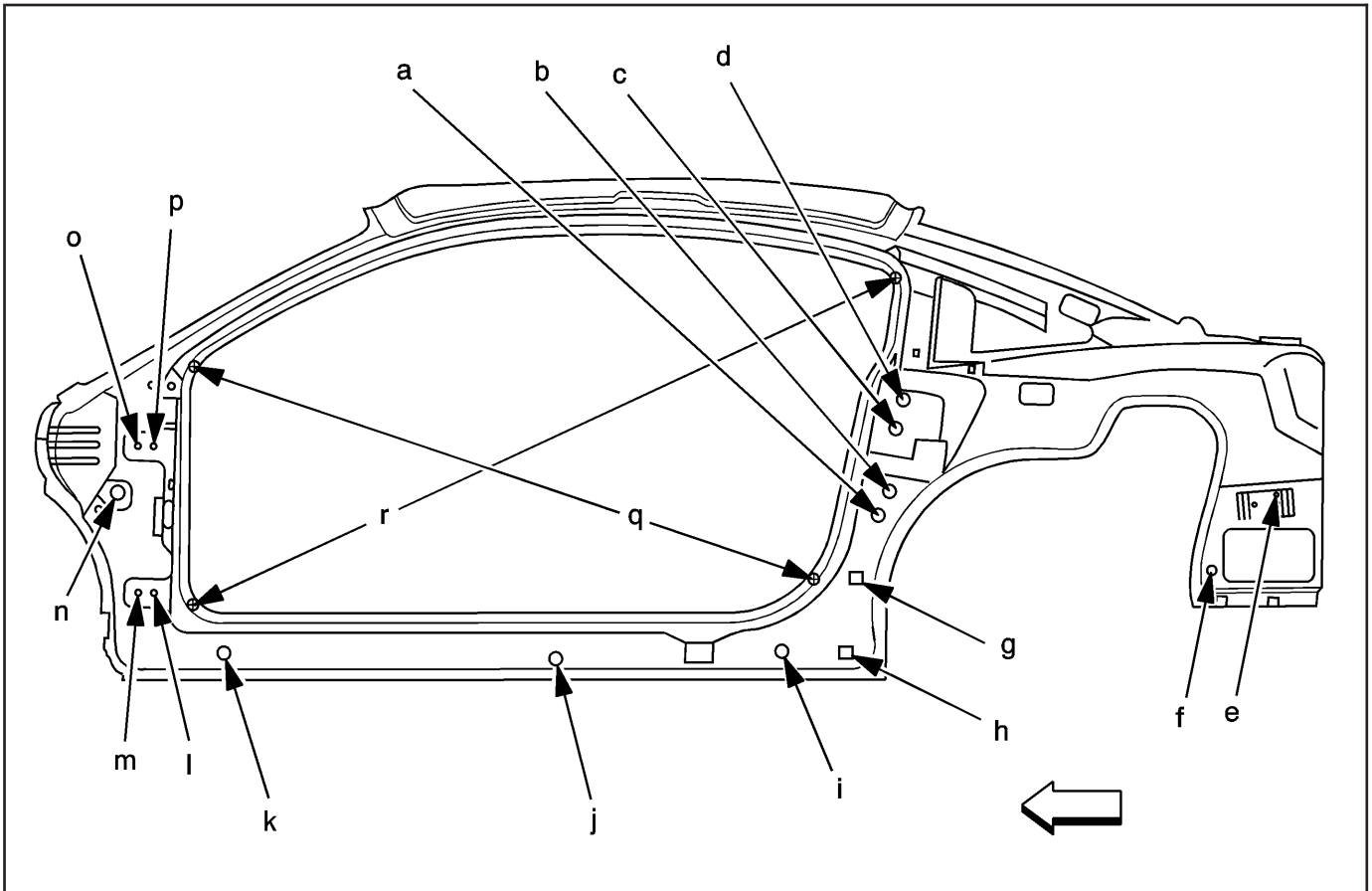


876934

Location	Description	Length = x	Width = y	Height = z	Point to Point
2	Center Line	—	—	—	x
a	Rear Tail Lamp Pocket Hole	5162	532	683	x
b	Rear Impact Beam Upper Outer Attach Hole	5149	587	447	x
c	Rear Impact Beam Lower Outer Attach Hole	5176	439	327	x
d (Sedan)	Rear Header Panel Roof Attachment Hole	4133	306	1326	x
d (Coupe)	Rear Header Panel Roof Attachment Hole	4068	306	1285	x

All dimensions are measured from a zero line, a center line, and a common datum. All dimensions are symmetrical unless otherwise specified.

## Coupe Side



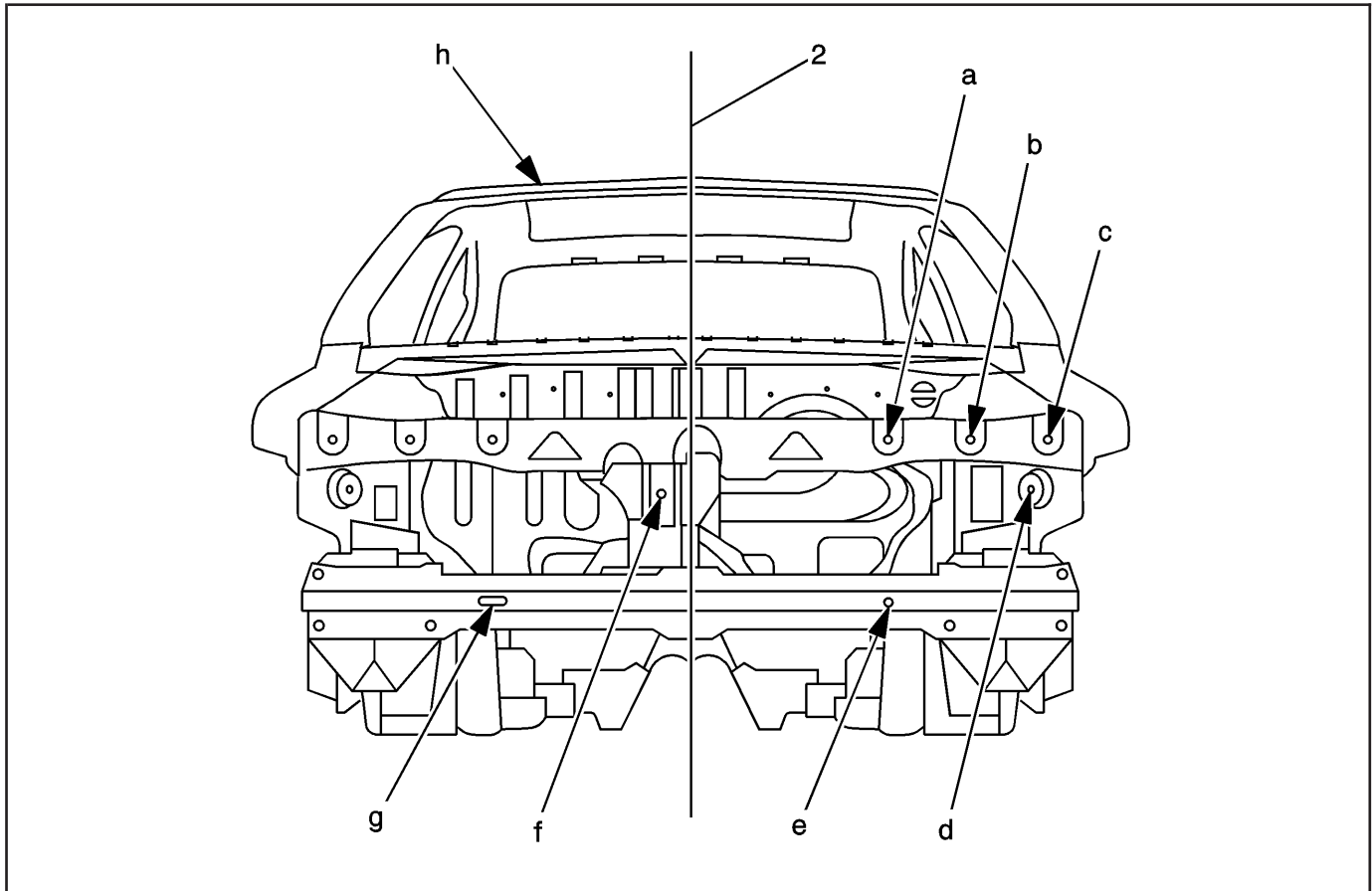
876935

Location	Description	Length = x	Width = y	Height = z	Point to Point
a	Rear Lower Hinge Lower Hole	3996	770	555	x
b	Rear Lower Hinge Upper Hole	4046	759	649	x
c	Rear Upper Hinge Lower Hole	4067	747	758	x
d	Rear Upper Hinge Upper Hole	4056	738	863	x
e	Fascia Bracket Rear Upper Hole	4989	768	798	x
f	Quarter Panel Rear Inner Lower Hole	4822	730	445	x
g	Quarter Panel Dog Leg Outer Attach Hole	3955	762	320	x
h	Quarter Panel Dog Leg Outer Attach Hole	3961	762	235	x
i	Rocker Panel Rear Hole	3780	762	250	x
j	Rocker Panel Center Hole	3228	756	234	x
k	Rocker Panel Front Hole	2432	762	250	x
l	Front Lower Hinge Rear Hole	2260	750	396	x
m	Front Lower Hinge Front Hole	2225	750	396	x
n	Body Side Control Hole	2175	745	640	x
o	Front Upper Hinge Front Hole	2225	739	754	x
p	Front Upper Hinge Rear Hole	2260	739	754	x

Location	Description	Length = x	Width = y	Height = z	Point to Point
q	Door Opening Point to Point Measurement to Weld Flange Die Marks	x	x	x	1588
r	Door Opening Point to Point Measurement to Weld Flange Die Marks	x	x	x	1868

All dimensions are measured from a zero line, a center line, and a common datum. All dimensions are symmetrical unless otherwise specified.

## Front End

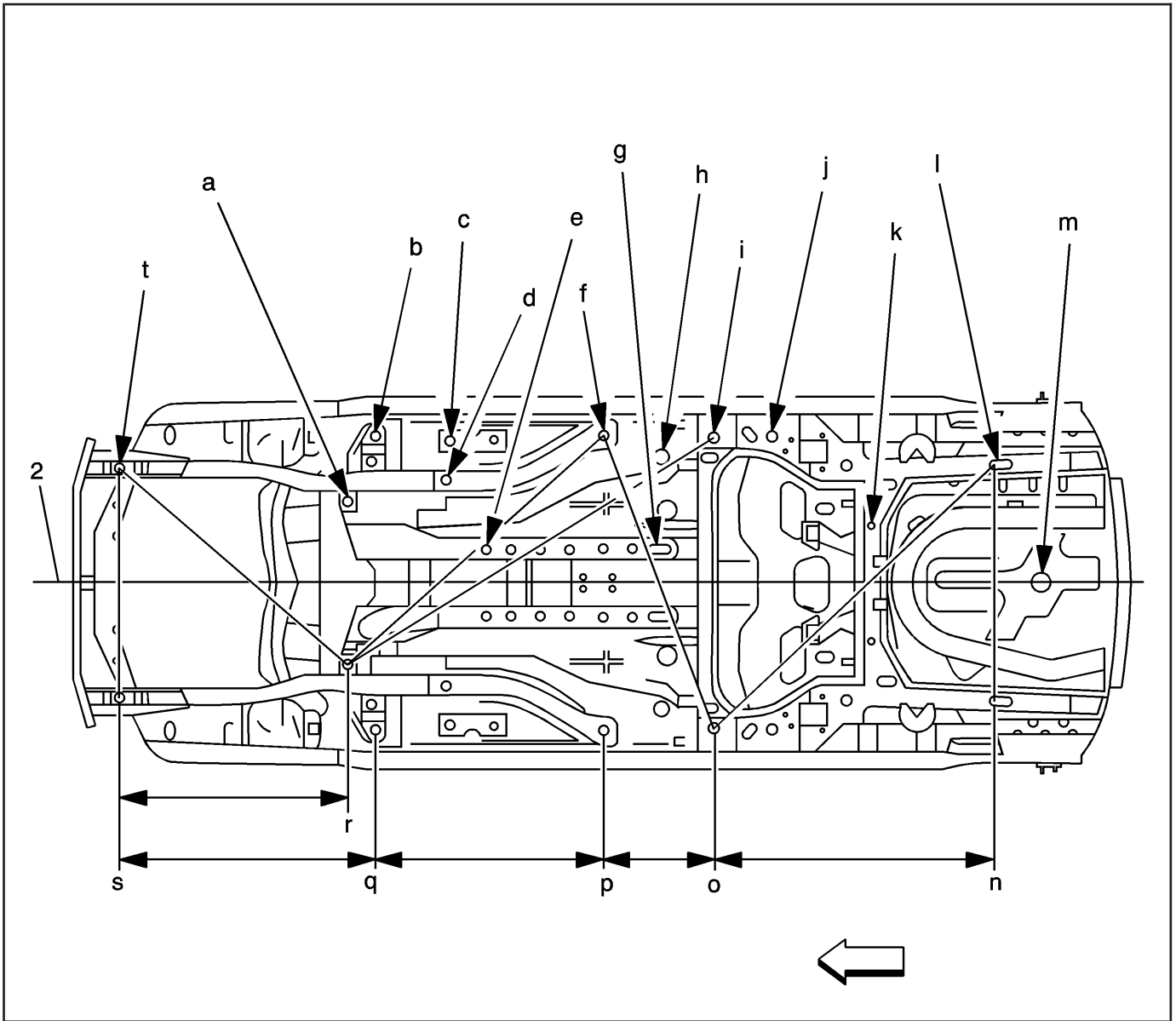


876936

Location	Description	Length = x	Width = y	Height = z	Point to Point
2	Center Line	—	—	—	x
a	Front Lamp Assembly Inner Attach Hole	1146	327	675	x
b	Front Lamp Assembly Center Attach Hole	1208	458	682	x
c	Front Lamp Assembly Outer Attach Hole	1271	589	676	x
d	Front Lamp Assembly Lower Attach Hole	1307	561	594	x
e	Lower Tie Bar Outer Hole	998	314	428	x
f	Center Brace Hole	1089	17	568	x
g	Lower Tie Outer Slot	998	314	428	x
h	Front Header Panel Roof Attachment Hole (Sedan and Coupe)	2799	297	1307	x

All dimensions are measured from a zero line, a center line, and a common datum. All dimensions are symmetrical unless otherwise specified.

Underbody

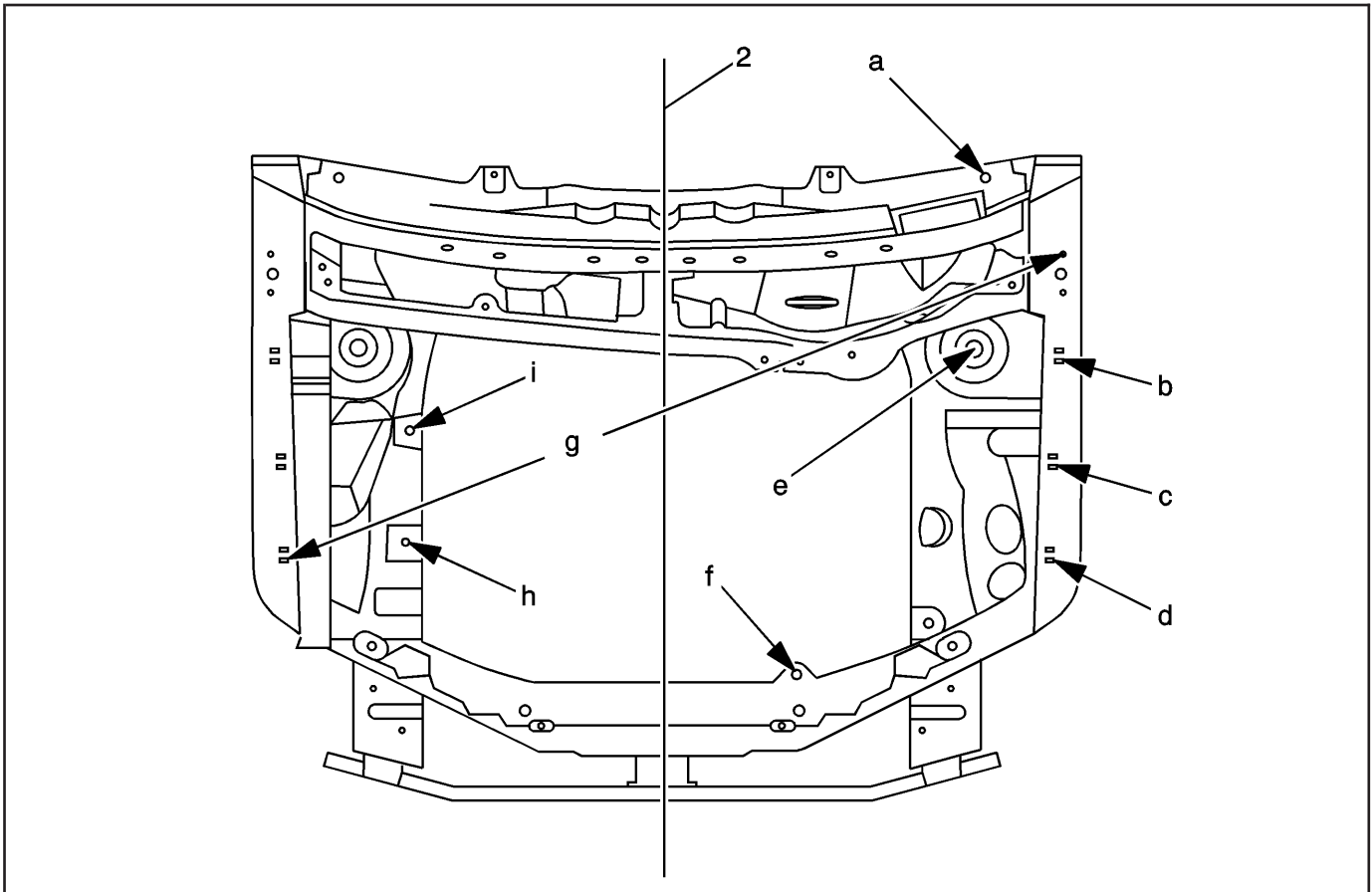


876938

Location	Description	Length = x	Width = y	Height = z	Point to Point
2	Center Line	—	—	—	x
a	Rear Cradle Attachment Hole	2100	332	201	x
b	Front Rail Outer Torque Box Master Gage Hole	2218	600	121	x
c	Floor Pan Drain Hole Front Hole	2420	542	190	x
d	Front Rail Hole Front of Rear Portion	2675	421	134	x
e	Floor Pan Sled Rail Front Hole	2585	162	133	x
f	Front Rail Hole Rear of Rear Portion	3171	601	167	x
g	Floor Pan Sled Rail Rear Hole	3374	170	144	x
h	Floor Pan Rear Drain Hole	3378	521	190	x
i	Rear Rail Torque Box Master Gage Hole	3593	592	203	x
j	Front Rail Hole	3826	600	184	x
k	5 Bar Outer Hole	4235	180	354	x
l	Rear Rail Rear Slot	4757	487	372	x
m	Rear Compartment Floor Pan Drain Hole	5000	40	221	x
t	Front Cradle Attachment Hole	1371	474	231	x
n to o	Rear Rail Rear Hole to Rear Rail Master Gage Hole	—	—	—	1174
o to p	Rear Rail Master Gage Hole to Front Rail Rear Hole	—	—	—	419
p to q	Front Rail Rear Hole to Front Rail Master Gage Hole	—	—	—	956
q to s	Front Rail Master Gage Hole to Front Cradle Attachment Hole	—	—	—	847
r to s	Rear Cradle Attachment Hole to Front Cradle Attachment Hole	—	—	—	742
s to t	Front Cradle Attachment Hole to Front Cradle Attachment Hole	—	—	—	948
t to r	Front Cradle Attachment Hole to Opposite Rear Cradle Attachment	—	—	—	1087
r to f	Rear Cradle Attachment Hole to Opposite Rear Rail Rear Hole	—	—	—	1756
r to i	Rear Cradle Attachment Hole to Rear Rail Master Gage Hole	—	—	—	1756
f to o	Front Rail Rear Hole to Opposite Rear Rail Master Gage Hole	—	—	—	1243
o to l	Rear Rail Master Gage Hole to Opposite Rear Rail Rear Hole	—	—	—	1591
l to n	Rear Rail Rear Hole to Rear Rail Rear Hole	—	—	—	974

All dimensions are measured from a zero line, a center line, and a common datum. All dimensions are symmetrical unless otherwise specified.

## Engine Compartment

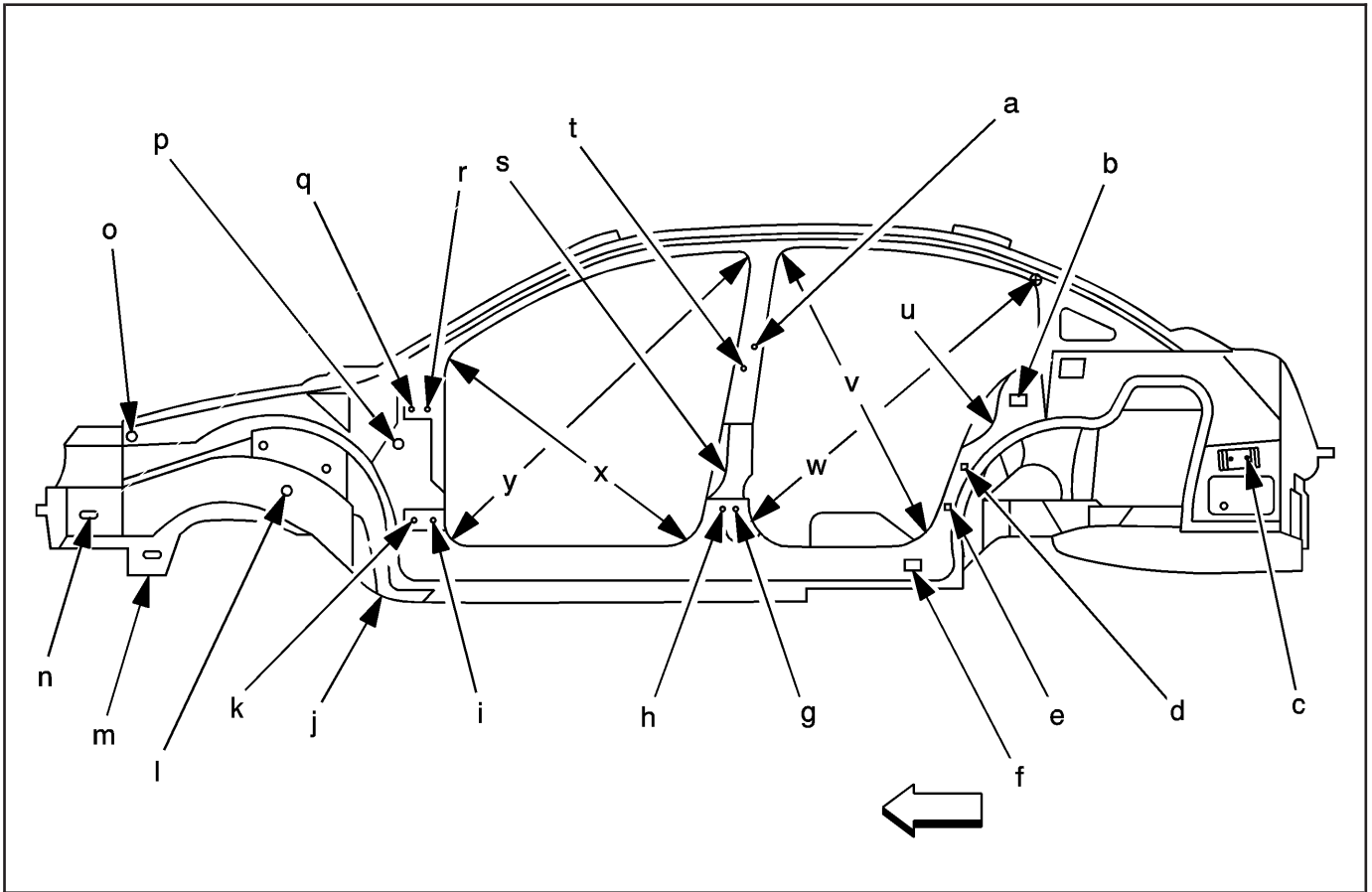


876940

Location	Description	Length = x	Width = y	Height = z	Point to Point
2	Center Line	—	—	—	x
a	Upper Cowl Panel Rear Flange Hole	2115	590	873	x
b	Front Upper Rail Rear Fender Attach	1786	698	805	x
c	Front Upper Rail Center Fender Attach	1594	688	773	x
d	Front Upper Rail Front Fender Attach	1425	681	739	x
e	Strut Tower Center Hole	1811	553	815	x
f	Front Upper Tie Bar Rear Flange Hole	1226	232	700	x
g	Point to Point Front Fender Attach Hole to Rear Hinge Attach Hole	—	—	—	1499
h	Front Engine Mount Hole Rail Surface Not Top of Stud	1461	470	515	x
i	Rear Engine Mount Hole Rail Surface Not Top of Stud	1657	465	515	x

All dimensions are measured from a zero line, a center line, and a common datum. All dimensions are symmetrical unless otherwise specified.

Sedan Side



876943

Location	Description	Length = x	Width = y	Height = z	Point to Point
a	Rear Upper Hinge Upper Hole	3301	746	776	x
b	Quarter Panel Dog Leg Outer Attachment Hole	4226	779	768	x
c	Fascia Bracket Rear Upper Hole	4974	746	596	x
d	Quarter Panel Dog Leg Outer Attach Hole	4068	767	617	x
e	Quarter Panel Dog Leg Outer Attachment Hole	3991	767	437	x
f	Quarter Panel Dog Leg Outer Attachment Hole	3780	762	250	x
g	Rear Lower Hinge Rear Hole	3289	746	430	x
h	Rear Lower Hinge Front Hole	3254	747	430	x
i	Front Lower Hinge Rear Hole	2259	748	396	x
j	Rear Cradle Attachment Hole	2100	332	201	x
k	Front Lower Hinge Front Hole	2225	740	396	x
l	Front Rail Outer Panel Hole	1840	463	430	x
m	Front Cradle Attachment Hole	1371	500	280	x
n	Weld Nut Hole Washer Bottle Attachment	1222	540	409	x
o	Front Upper Outer Rail Front Hole	1880	743	760	x
p	Body Side Control Hole	2175	745	640	x
q	Front Upper Hinge Front Hole	2224	737	754	x
r	Front Upper Hinge Rear Hole	2260	737	754	x
s	Front Door Latch Striker Upper Hole	3263	748	574	x
t	Rear Upper Hinge Lower Hole	3299	754	741	x
u	Rear Latch Striker Upper Hole	4145	739	736	x
v	Rear Door Opening Point to Point Measurements to Weld Flange Die Marks	—	—	—	1015
w	Rear Door Opening Point to Point Measurement to Weld Flange Die Marks	—	—	—	1188
x	Front Door Opening Point to Point Measurement to Weld Flange Die Marks	—	—	—	970
y	Front Door Opening Point to Point Measurement to Weld Flange Die Marks	—	—	—	1337

All dimensions are measured from a zero line, a center line, and a common datum. All dimensions are symmetrical unless otherwise specified.