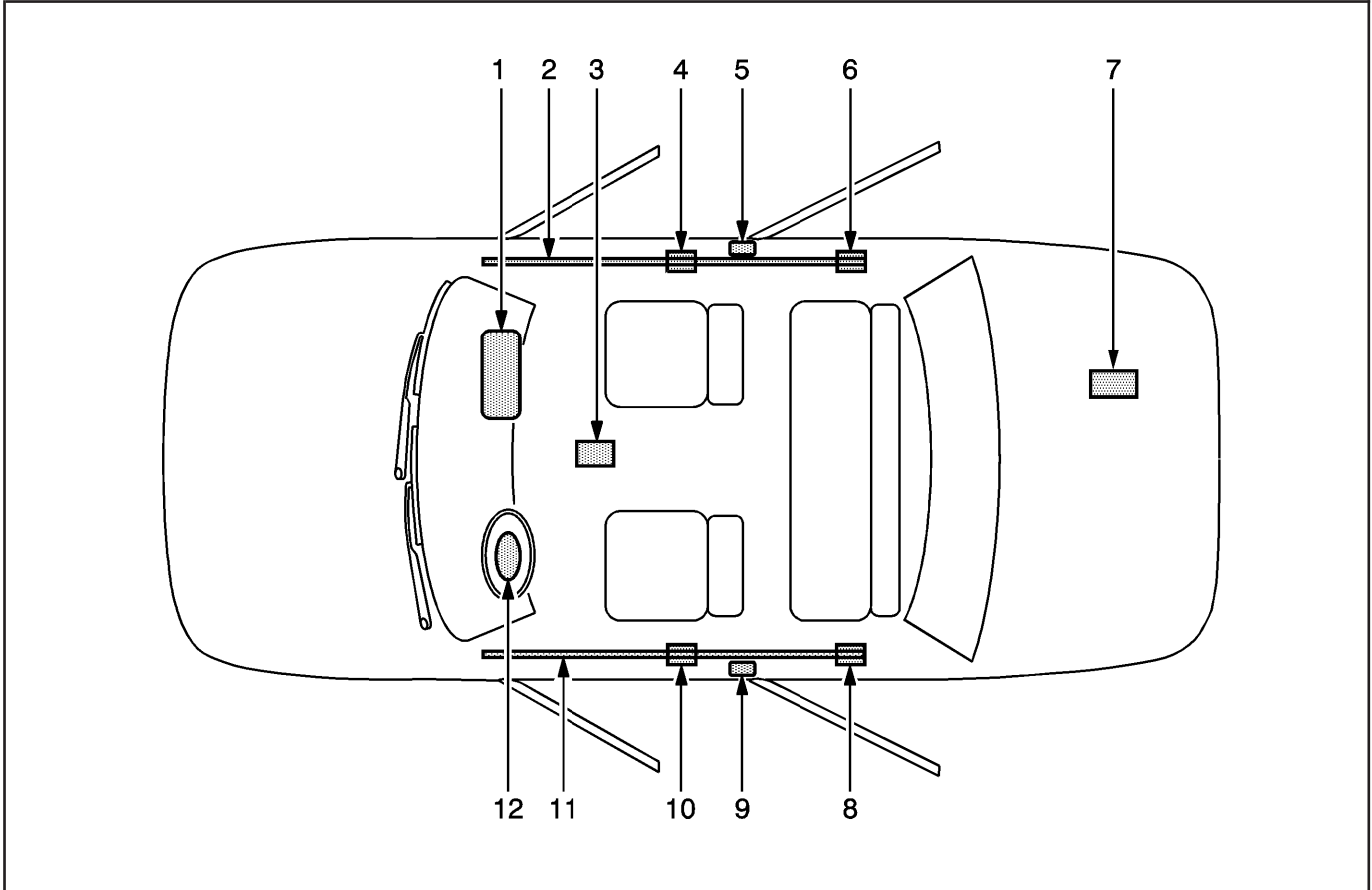


Component Locator

SIR Zone Identification Views

The SIR Zone Identification Views shown below illustrate the approximate location of all SIR components available for the vehicle. This will assist in determining the appropriate SIR Disabling and Enabling Zones for a given service procedure.



894507

Legend

- | | |
|---|---|
| (1) I/P Air Bag—Located at the top right under the instrument panel | (7) Vehicle Battery—Located under the hood on the right side |
| (2) Right Roof Rail Air Bag—Located under the headliner, extending from the passenger front windshield pillar to the passenger rear windshield pillar | (8) Inflator Module for Left Roof Rail Air Bag—Located behind garnish molding under the upper lock pillar |
| (3) Sensing and Diagnostic Module (SDM)—Located underneath the vehicle carpet under the center console | (9) Side Impact Sensor (SIS)—Located under the center pillar trim near the bottom on the Sedan and located in the door on the Coupe |
| (4) Seat Belt Pretensioner—Located behind the center pillar under the headliner | (10) Seat Belt Pretensioner—Located behind the center pillar under the headliner |
| (5) Side Impact Sensor (SIS)—Located under the center pillar trim near the bottom | (11) Left Roof Rail Air Bag—Located under the headliner, extending from the driver front windshield pillar to the driver rear windshield pillar |
| (6) Inflator Module for Right Roof Rail Air Bag—Located behind the garnish molding under the upper lock pillar | (12) Steering Wheel Air Bag—Located on the steering wheel |