

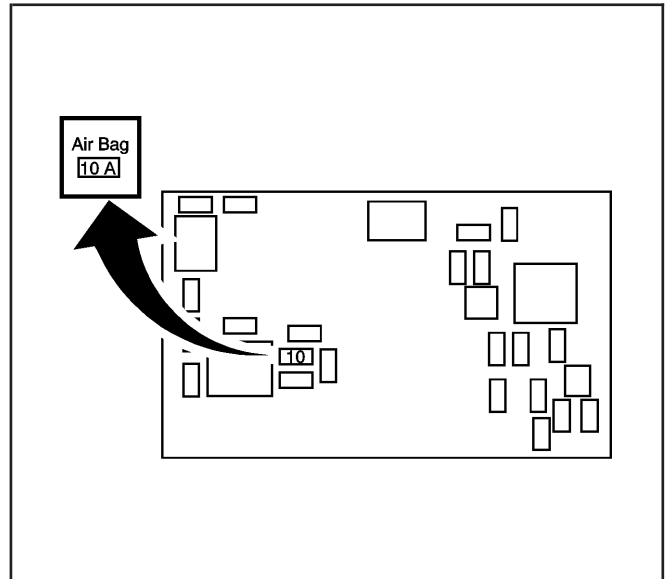
SIR Disabling and Enabling Zone 3

Disabling Procedure

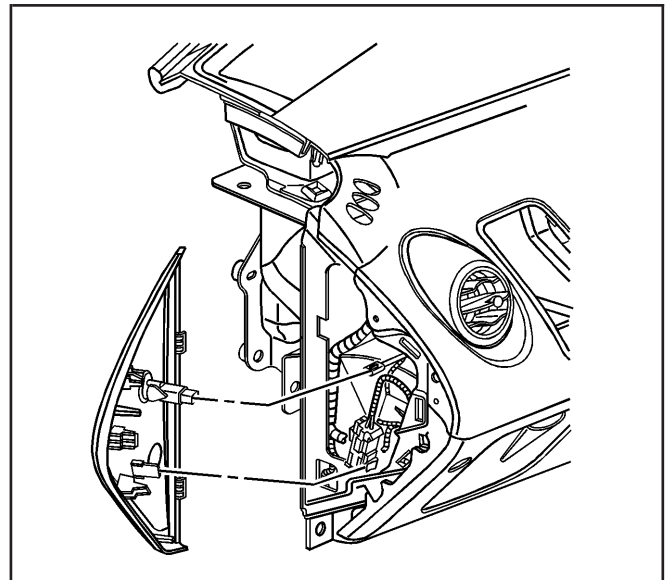
1. Turn the steering wheel so that the vehicle's wheels are pointing straight ahead.
2. Turn the ignition switch to the OFF position.
3. Remove the key from the ignition switch.
4. Locate the body control module fuse center then remove the fuse center cover.

Important: With the AIR BAG fuse removed and the ignition switch in the ON position, the AIR BAG warning indicator illuminates. This is normal operation, and does not indicate an SIR system malfunction.

5. Locate and remove the AIR BAG fuse from the body control module fuse center.
6. Remove the left/driver outer trim cover from the I/P.
7. Remove the connector position assurance (CPA) from the steering wheel module coil yellow connector (4-way).
8. Disconnect the steering wheel module coil yellow connector from the vehicle harness yellow connector.



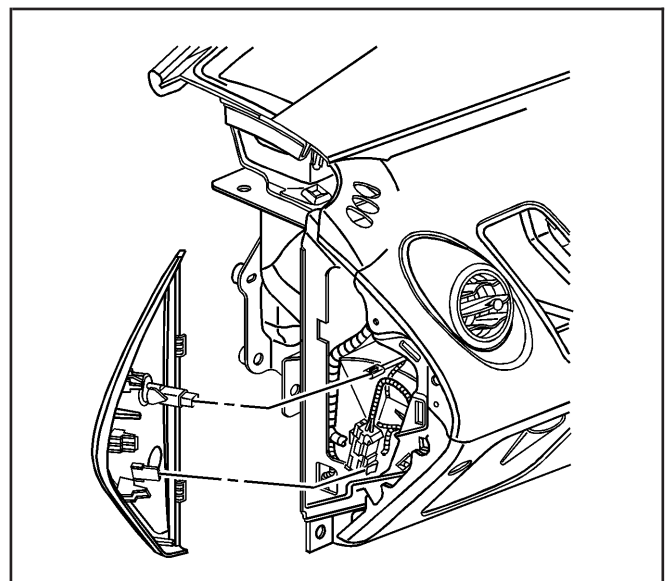
893538



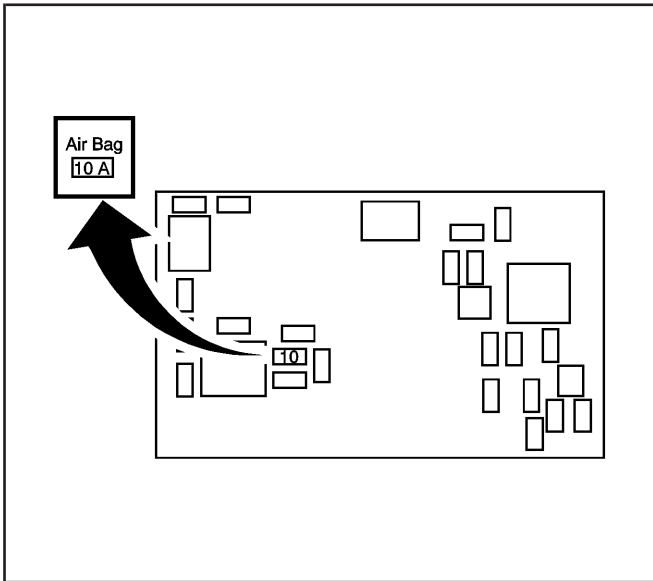
877766

Enabling Procedure

1. Remove the key from the ignition switch.
2. Connect the steering wheel module coil yellow connector (4-way) to the vehicle harness yellow connector.
3. Install the CPA to the steering wheel module coil yellow connector.
4. Install the left outer trim cover to the I/P.

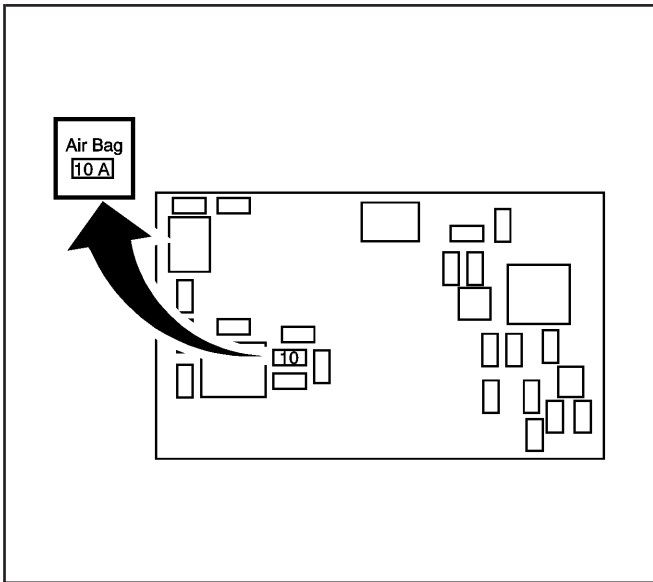


877766



893538

5. Install the AIR BAG fuse into the body control module fuse center.
6. Install the body control module fuse center cover.
7. Use caution while reaching in and turn the ignition switch to the ON position.
The AIR BAG indicator will flash then turn OFF.
8. Perform the SIR Diagnostic System Check if the AIR BAG warning indicator does not operate as described.



893538

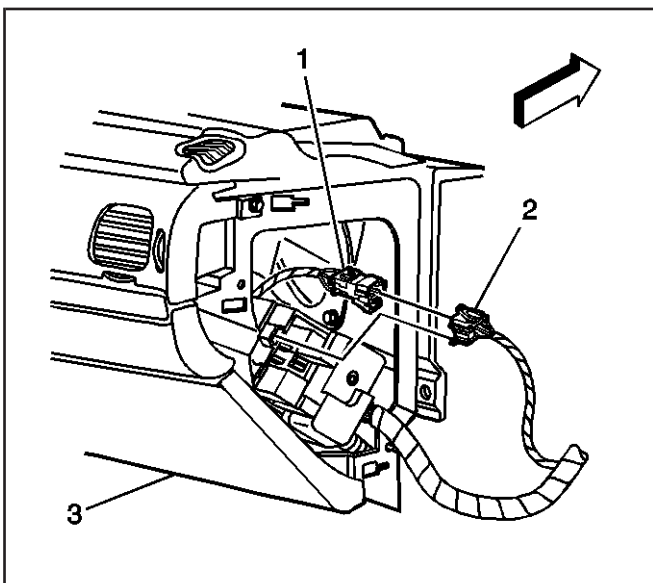
SIR Disabling and Enabling Zone 5

Disabling Procedure

1. Turn the steering wheel so that the vehicle's wheels are pointing straight ahead.
2. Turn the ignition switch to the OFF position.
3. Remove the key from the ignition switch.
4. Locate the body control module fuse center, then remove the fuse center cover.

Important: With the AIR BAG fuse removed and the ignition switch in the ON position, the AIR BAG warning indicator illuminates. This is normal operation, and does not indicate an SIR system malfunction.

5. Locate and remove the AIR BAG fuse from the body control module fuse center.
6. Remove the right/passenger outer trim cover from the I/P (3).
7. Remove the connector position assurance (CPA) from the I/P module yellow connector (2).
8. Disconnect the I/P module yellow connector (1) (4-way) from the vehicle harness yellow connector (2).



816857