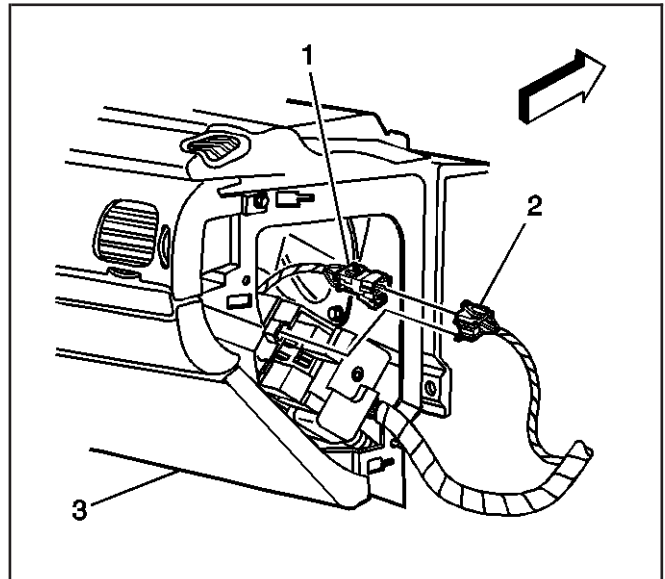


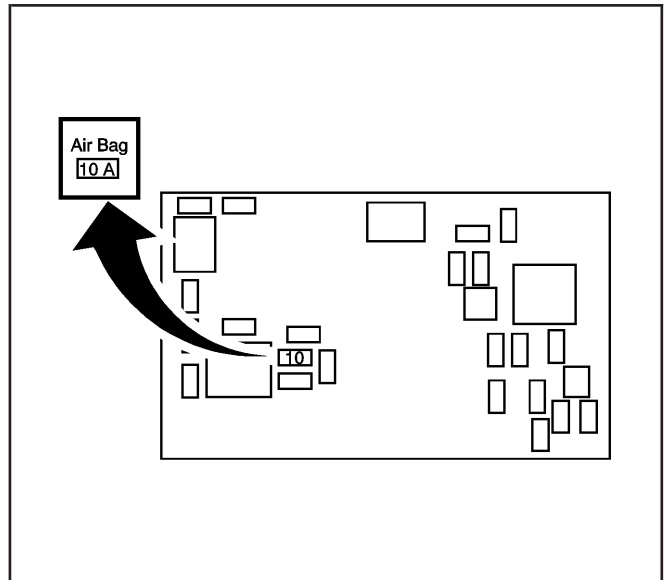
Enabling Procedure

1. Remove the key from the ignition switch.
2. Connect the I/P module yellow connector (1) (4-way) to the vehicle harness yellow connector (2).
3. Install the CPA to the I/P module yellow connector (2).
4. Install the right outer trim cover to the I/P (3).



816857

5. Install the AIR BAG fuse into the body control module fuse center.
6. Install the body control module fuse center cover.
7. Use caution while reaching in and turn the ignition switch to the ON position.
The AIR BAG indicator will flash then turn OFF.
8. Perform the SIR Diagnostic System Check if the AIR BAG warning indicator does not operate as described.

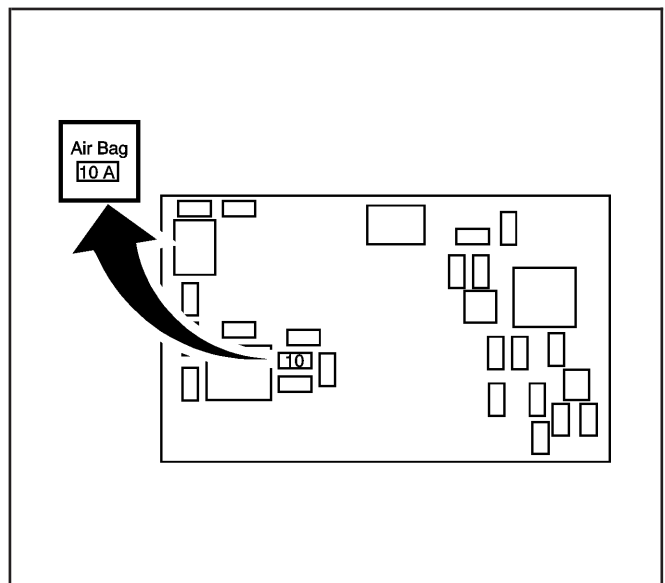


893538

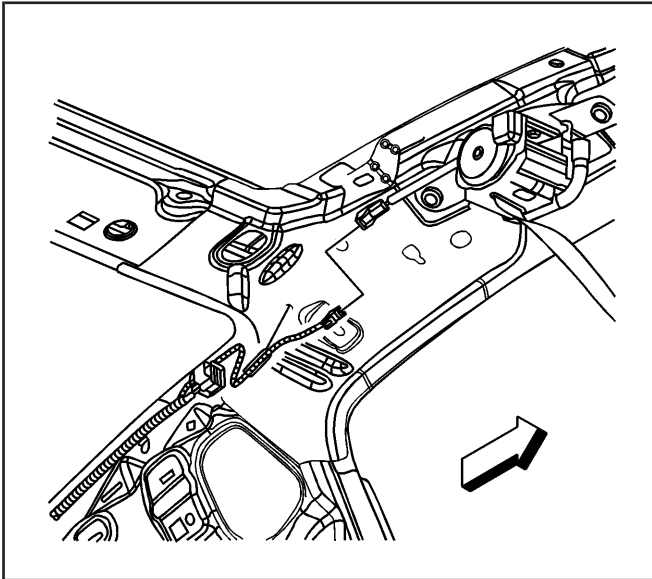
SIR Disabling and Enabling Zone 6 (Coupe)

Disabling Procedure

1. Turn the steering wheel so that the vehicle's wheels are pointing straight ahead.
2. Turn the ignition switch to the OFF position.
3. Remove the key from the ignition switch.
4. Locate the body control module fuse center, then remove the fuse center cover.



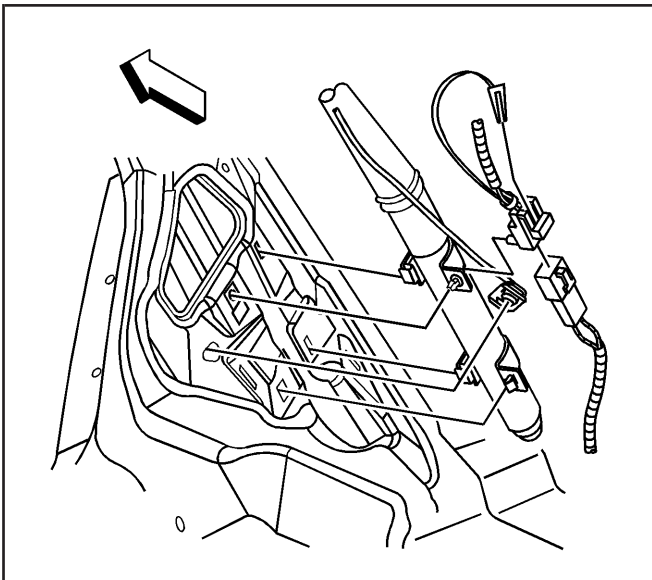
893538



899819

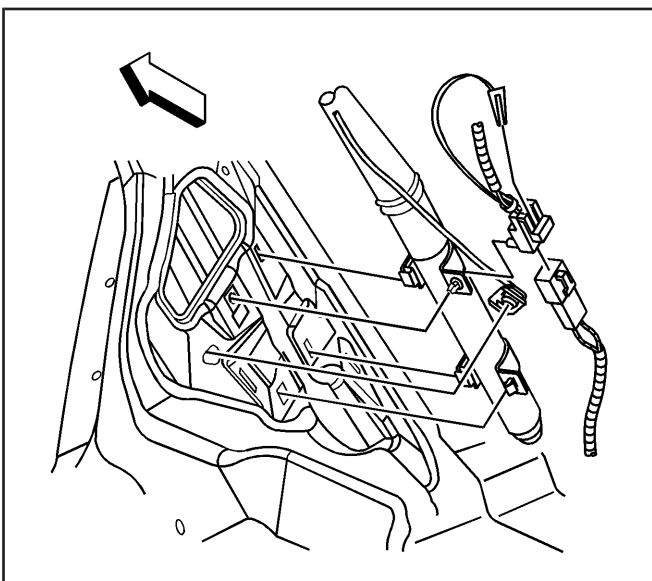
Important: With the AIR BAG fuse removed and the ignition switch in the ON position, the AIR BAG warning indicator illuminates. This is normal operation, and does not indicate an SIR system malfunction.

5. Locate and remove the AIR BAG fuse from the body control module fuse center.
6. Remove the coat hooks.
7. Remove the trim panel from the high mount stop lamp by pulling at the clip locations.
8. Gently pull back on the headliner to access the right pretensioner connector.
9. Remove the connector position assurance (CPA) from the right/passenger pretensioner connector.
10. Disconnect the right/passenger connector.
11. Remove the garnish molding from the upper lock pillar.



899820

12. Remove the connector position assurance (CPA) from the right/passenger roof rail module connector.
13. Disconnect the right roof rail module yellow connector from the vehicle harness yellow connector.

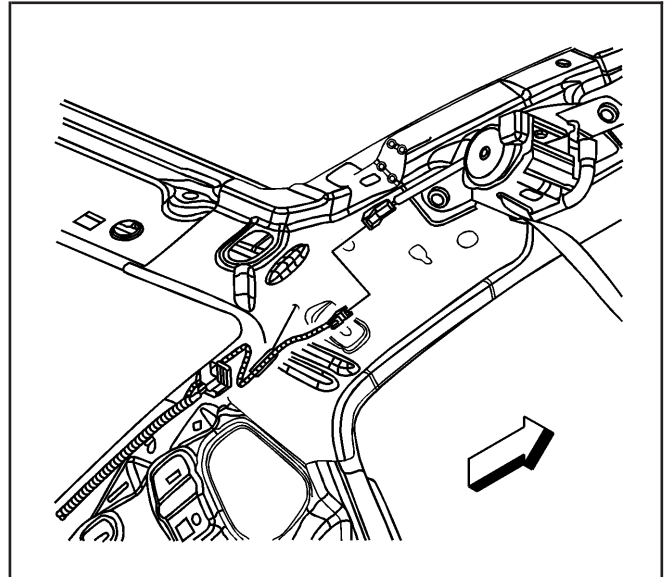


899820

Enabling Procedure

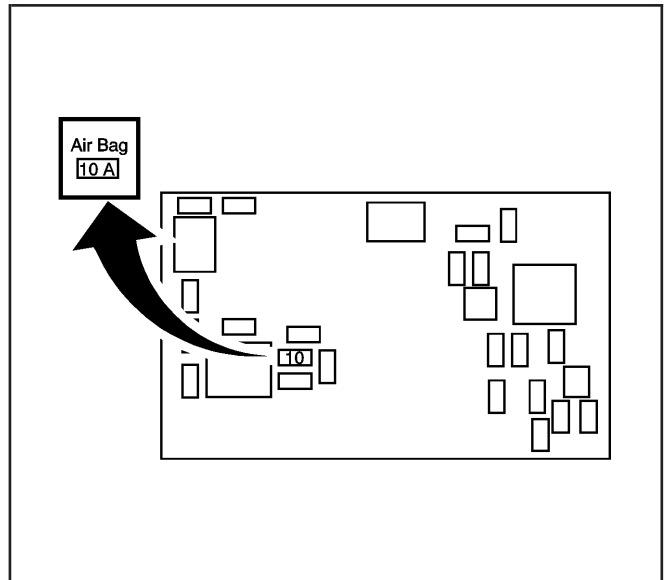
1. Remove the key from the ignition switch.
2. Connect the right roof rail module yellow connector to the vehicle harness yellow connector.
3. Install the CPA to the right roof rail module connector.
4. Install the garnish molding to the upper lock pillar.
5. Gently pull back on the headliner to access the right pretensioner.
6. Connect the right pretensioner connector and install the connector position assurance (CPA).

7. Install the trim panel to the high mount stop lamp.
8. Install the coat hooks.



899819

9. Install the AIR BAG fuse into the body control module fuse center.
10. Install the body control module fuse center cover.
11. Use caution while reaching in and turn the ignition switch to the ON position.
The AIR BAG indicator will flash then turn OFF.
12. Perform the SIR Diagnostic System Check if the AIR BAG warning indicator does not operate as described.

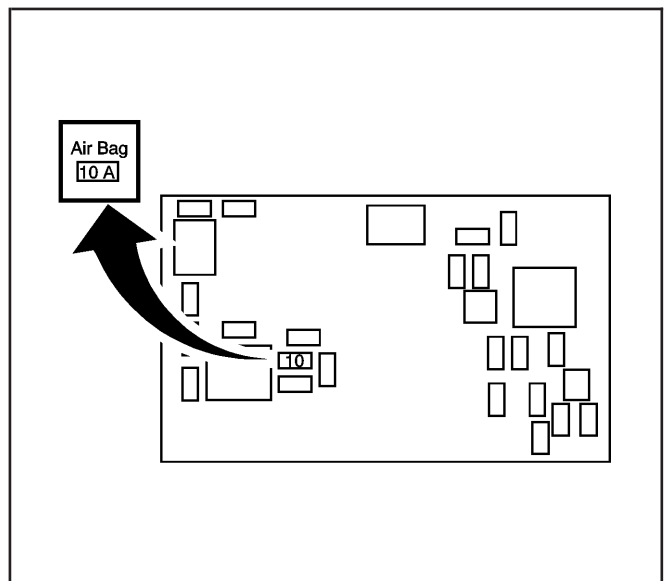


893538

SIR Disabling and Enabling Zone 6 (Sedan)

Disabling Procedure

1. Turn the steering wheel so that the vehicle's wheels are pointing straight ahead.
2. Turn the ignition switch to the OFF position.
3. Remove the key from the ignition switch.
4. Locate the body control module fuse center, then remove the fuse center cover.



893538