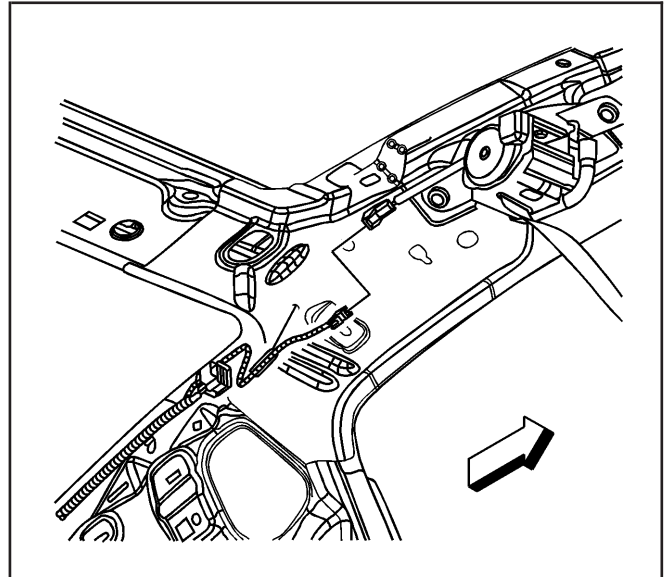
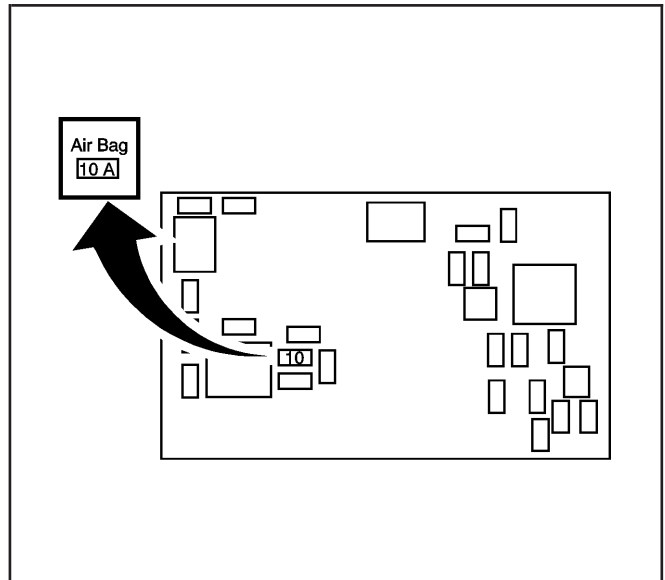


7. Install the trim panel to the high mount stop lamp.
8. Install the coat hooks.



899819

9. Install the AIR BAG fuse into the body control module fuse center.
10. Install the body control module fuse center cover.
11. Use caution while reaching in and turn the ignition switch to the ON position.  
The AIR BAG indicator will flash then turn OFF.
12. Perform the SIR Diagnostic System Check if the AIR BAG warning indicator does not operate as described.

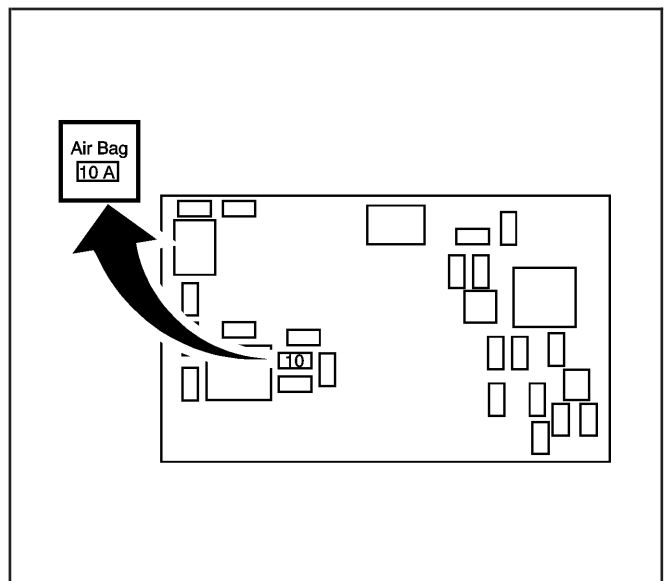


893538

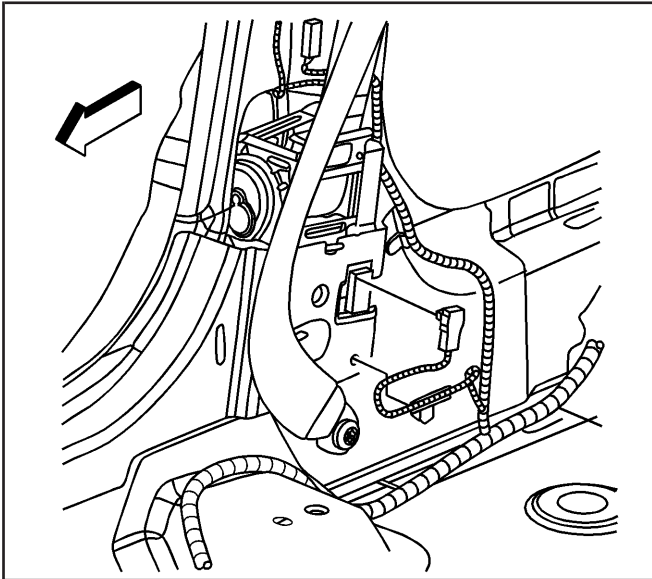
## SIR Disabling and Enabling Zone 6 (Sedan)

### Disabling Procedure

1. Turn the steering wheel so that the vehicle's wheels are pointing straight ahead.
2. Turn the ignition switch to the OFF position.
3. Remove the key from the ignition switch.
4. Locate the body control module fuse center, then remove the fuse center cover.



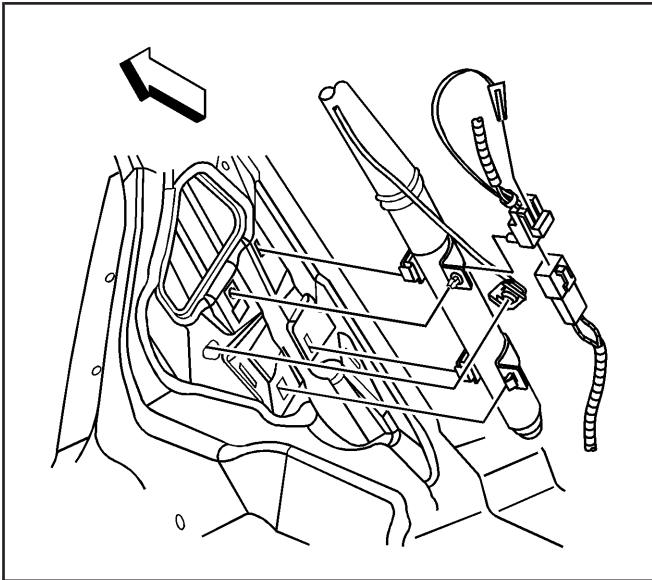
893538



899818

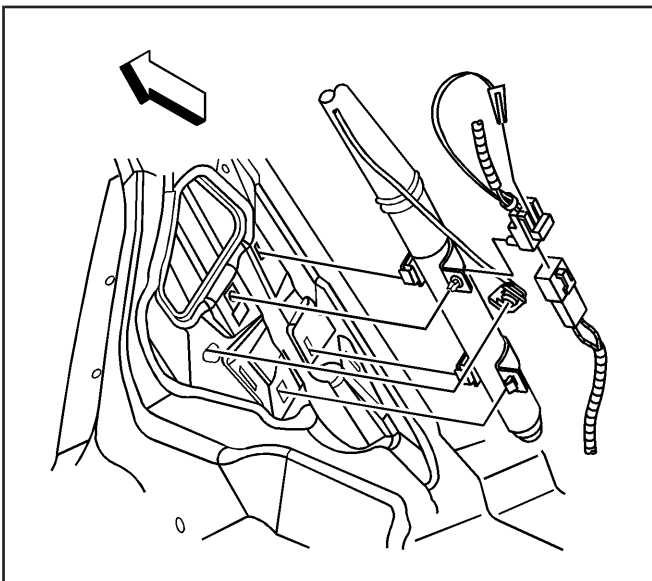
**Important:** With the AIR BAG fuse removed and the ignition switch in the ON position, the AIR BAG warning indicator illuminates. This is normal operation, and does not indicate an SIR system malfunction.

5. Locate and remove the AIR BAG fuse from the body control module fuse center.
6. Remove the lower center pillar.
7. Remove the connector position assurance (CPA) from the pretensioner.
8. Disconnect the right pretensioner yellow connector from the vehicle harness connector.
9. Remove the garnish molding from the upper lock pillar.



899820

10. Remove the connector position assurance (CPA) from the right/passenger roof rail module connector.
11. Disconnect the right roof rail module yellow connector from the vehicle harness yellow connector.

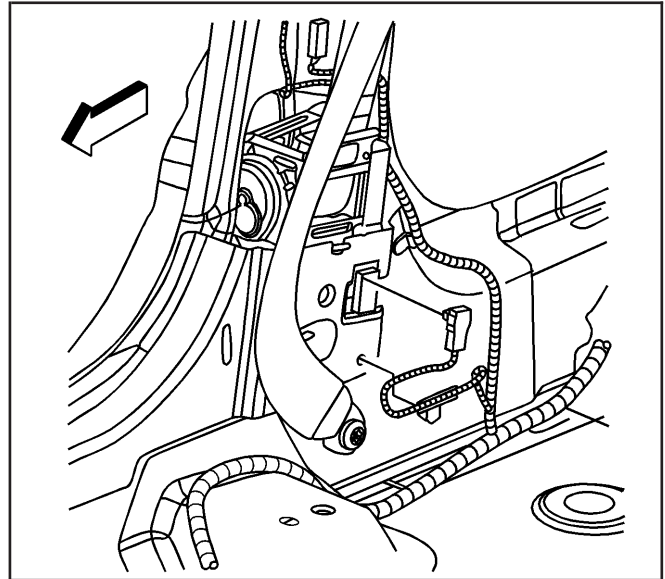


899820

### Enabling Procedure

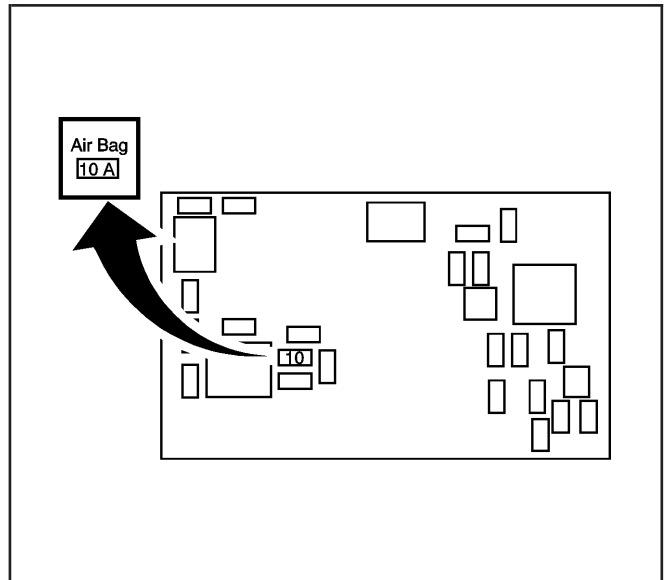
1. Remove the key from the ignition switch.
2. Connect the right roof rail module yellow connector to the vehicle harness yellow connector.
3. Install the CPA to the right roof rail module connector.
4. Install the garnish molding to the upper lock pillar.

5. Connect the right pretensioner and install the connector position assurance (CPA).
6. Install the lower center pillar.



899818

7. Install the AIR BAG fuse into the body control module fuse center.
8. Install the body control module fuse center cover.
9. Use caution while reaching in and turn the ignition switch to the ON position.  
The AIR BAG indicator will flash then turn OFF.
10. Perform the SIR Diagnostic System Check if the AIR BAG warning indicator does not operate as described.

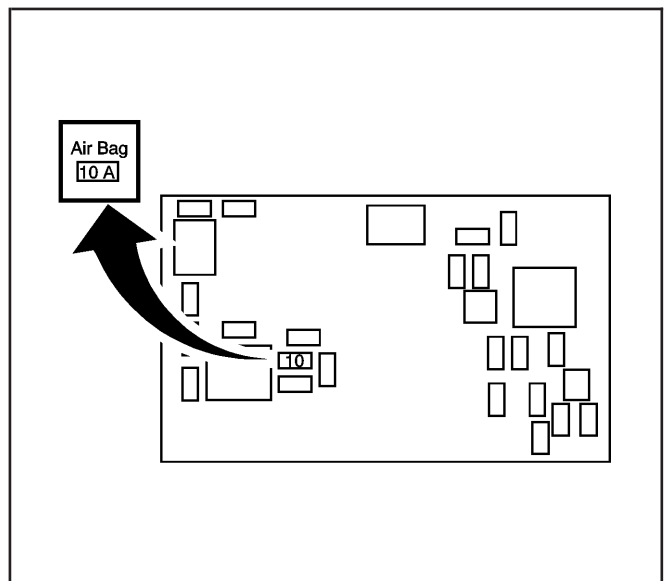


893538

## SIR Disabling and Enabling Zone 8 (Coupe)

### Disabling Procedure

1. Turn the steering wheel so that the vehicle's wheels are pointing straight ahead.
2. Turn the ignition switch to the OFF position.
3. Remove the key from the ignition switch.
4. Locate the body control module fuse center then remove the fuse center cover.



893538