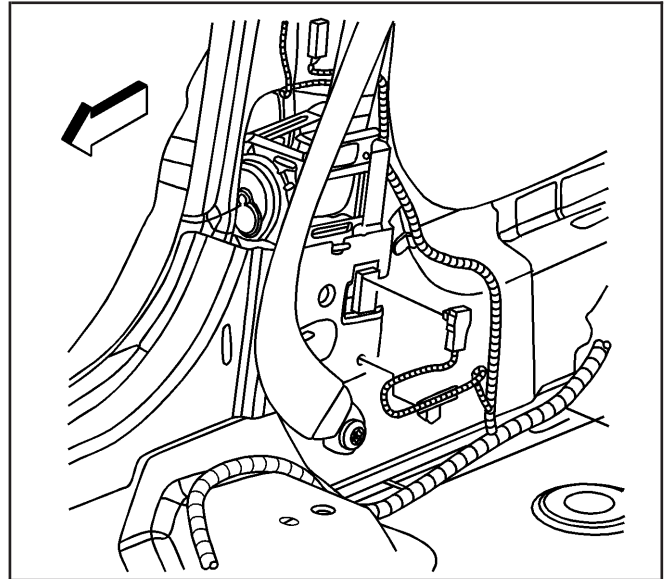
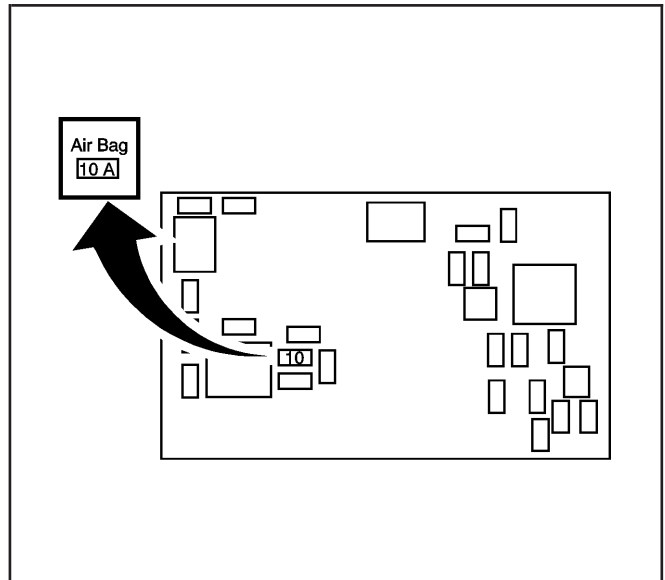


5. Connect the right pretensioner and install the connector position assurance (CPA).
6. Install the lower center pillar.



899818

7. Install the AIR BAG fuse into the body control module fuse center.
8. Install the body control module fuse center cover.
9. Use caution while reaching in and turn the ignition switch to the ON position.
The AIR BAG indicator will flash then turn OFF.
10. Perform the SIR Diagnostic System Check if the AIR BAG warning indicator does not operate as described.

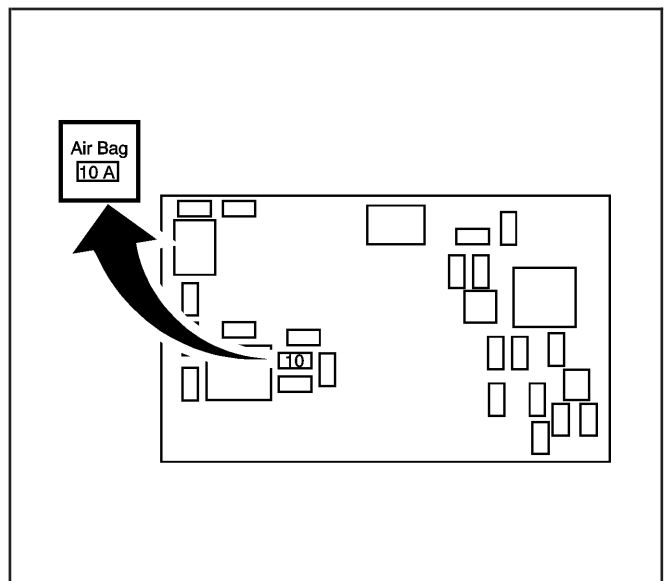


893538

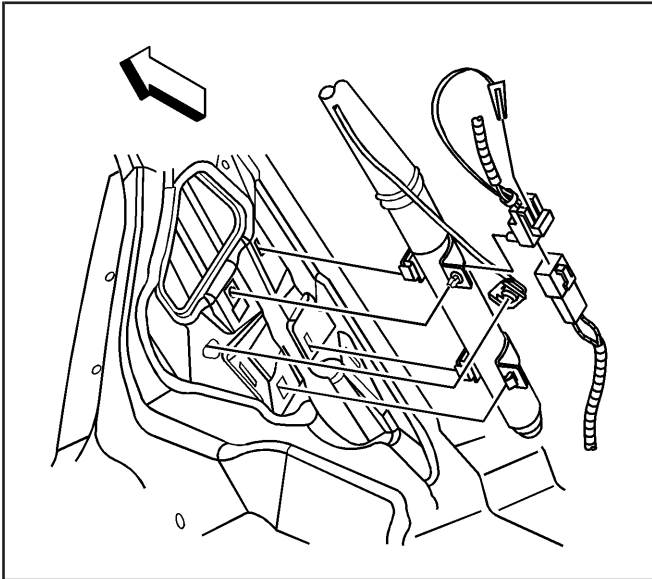
SIR Disabling and Enabling Zone 8 (Coupe)

Disabling Procedure

1. Turn the steering wheel so that the vehicle's wheels are pointing straight ahead.
2. Turn the ignition switch to the OFF position.
3. Remove the key from the ignition switch.
4. Locate the body control module fuse center then remove the fuse center cover.



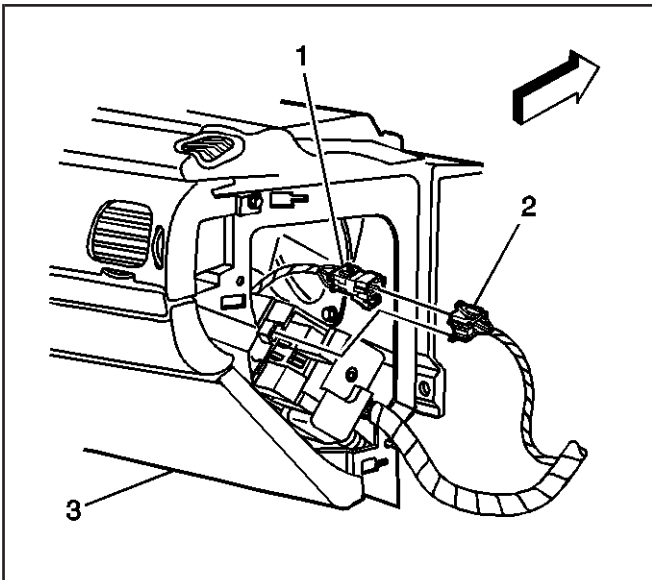
893538



899820

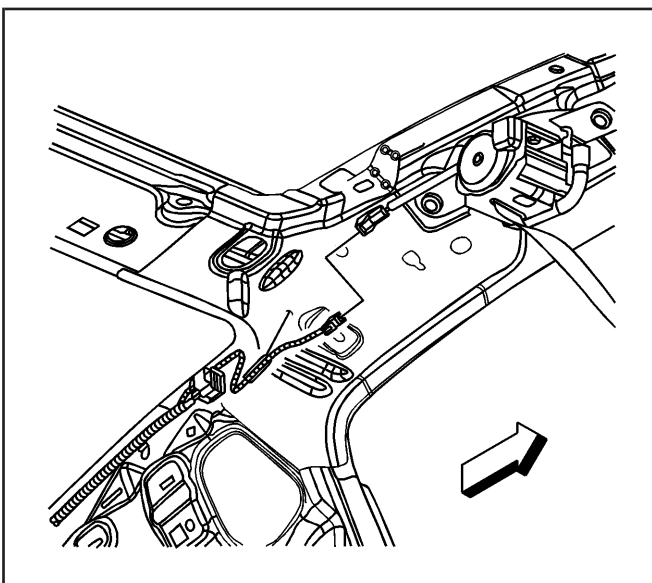
Important: With the AIR BAG fuse removed and the ignition switch in the ON position, the AIR BAG warning indicator illuminates. This is normal operation, and does not indicate an SIR system malfunction.

5. Locate and remove the AIR BAG fuse from the body control module fuse center.
6. Remove the garnish molding from the upper lock pillar.
7. Remove the connector position assurance (CPA) from the right/passenger roof rail module yellow connector.
8. Disconnect the right roof rail module yellow connector from the vehicle harness yellow connector.



816857

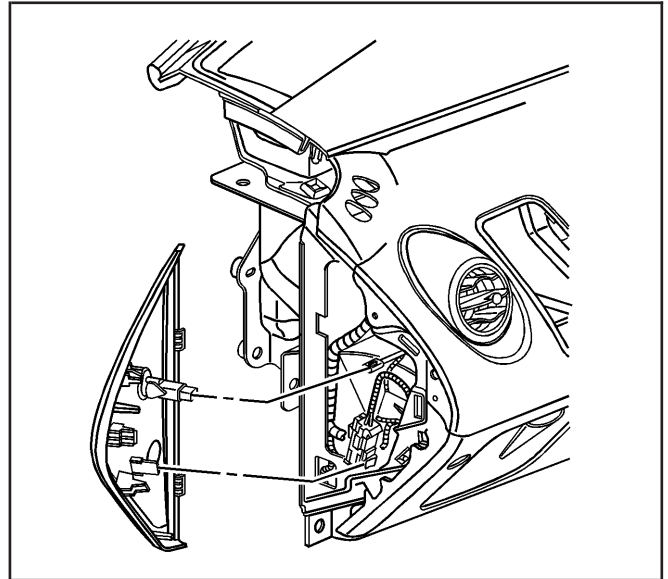
9. Remove the passenger/right outer trim cover from the I/P (3).
10. Remove the CPA from the I/P module yellow connector (1).
11. Disconnect the I/P module yellow connector (1) from the vehicle harness yellow connector (2).
12. Remove the coat hooks.
13. Remove the trim panel from the high mount stop lamp by pulling at the clip locations.
14. Gently pull back on the headliner to access the right/passenger pretensioner connector.



899819

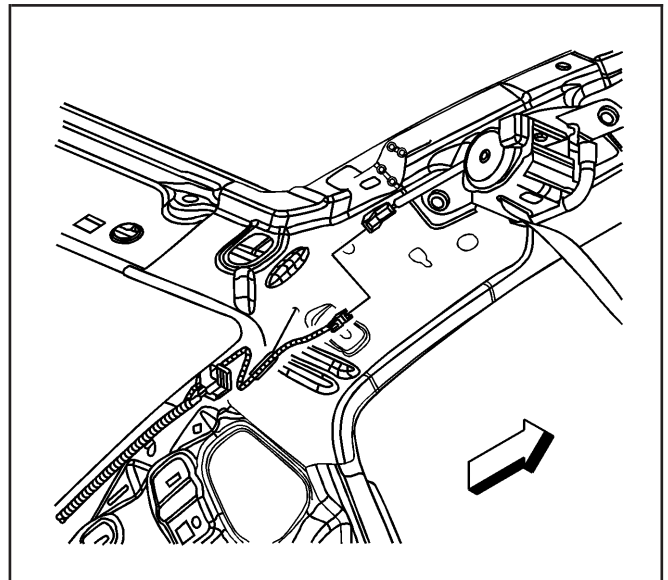
15. Remove the connector position assurance (CPA) from the right/passenger connector.
16. Disconnect the right/passenger pretensioner connector

17. Remove the driver/left outer trim cover from the instrument panel (I/P).
18. Remove the CPA from the steering wheel module coil yellow connector.
19. Disconnect the steering wheel module coil yellow connector from the vehicle harness yellow connector.



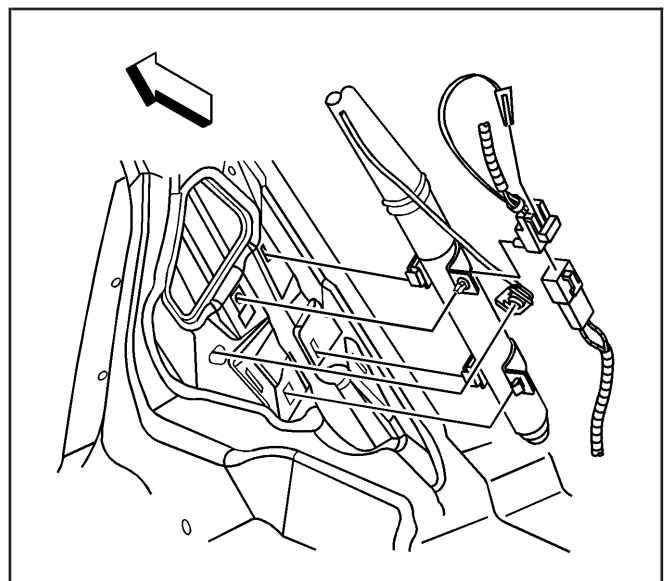
877766

20. Gently pull back on the headliner to access the left/driver pretensioner connector.
21. Remove the connector position assurance (CPA) from the left/driver pretensioner connector.
22. Disconnect the left/driver pretensioner connector.

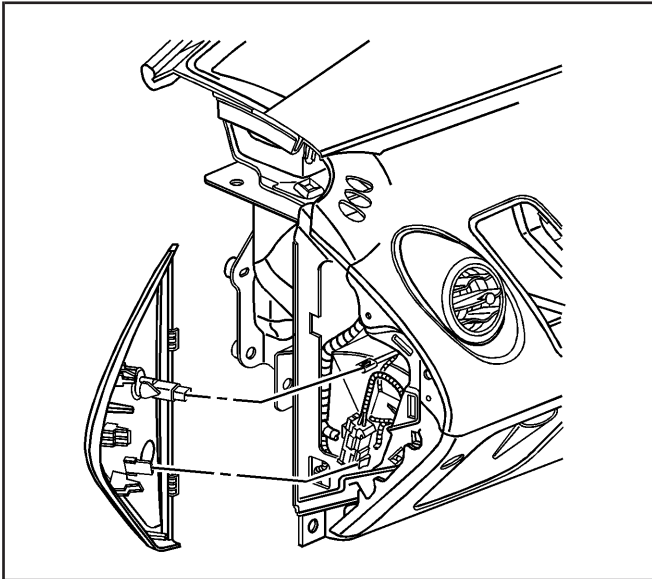


899819

23. Remove the garnish molding from the upper lock pillar.
24. Remove the CPA from the left/driver roof rail module yellow connector.
25. Disconnect the left roof rail module yellow connector from the vehicle harness yellow connector.



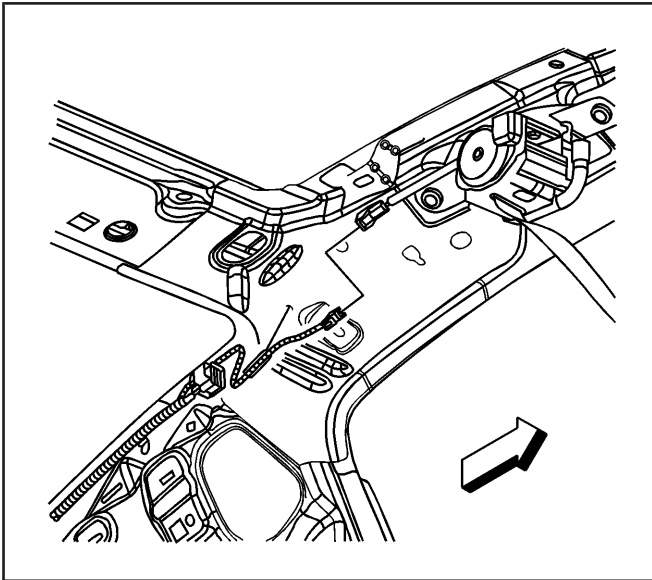
899820



877766

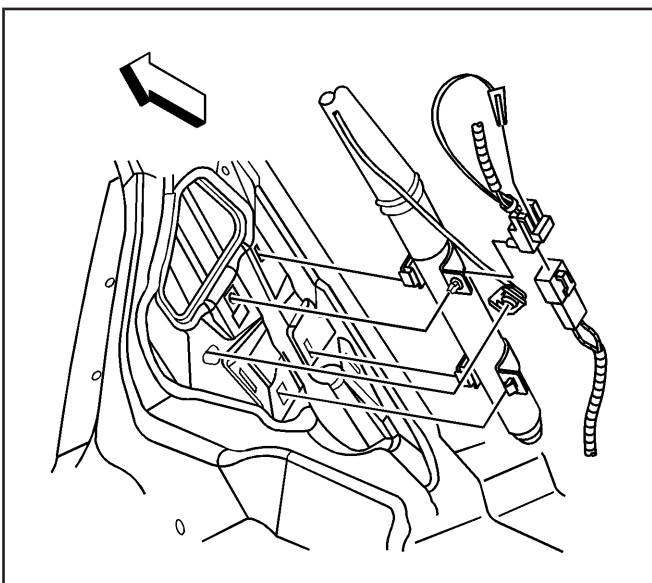
Enabling Procedure

1. Remove the key from the ignition switch.
2. Connect the steering wheel module coil yellow connector to the vehicle harness yellow connector.
3. Install the CPA to the steering wheel module coil yellow connector.
4. Install the driver/left outer trim cover to the instrument panel (I/P).



899819

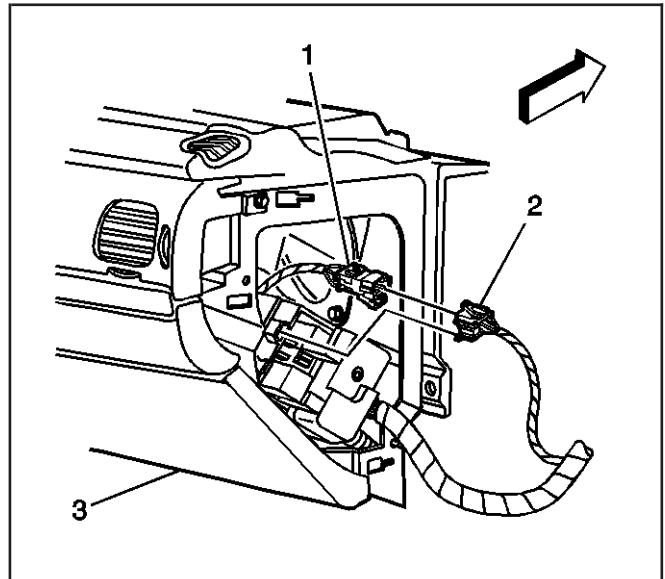
5. Gently pull back on the headliner and connect the left/driver pretensioner connector.
6. Install the connector position assurance (CPA) to the left/driver connector.



899820

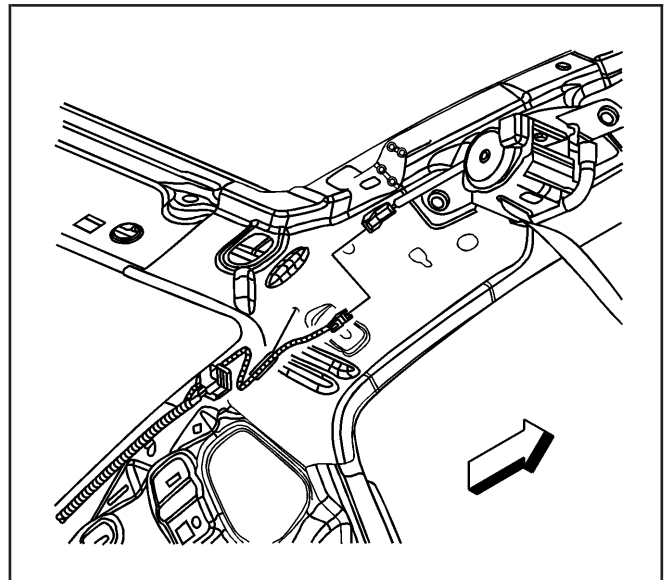
7. Connect the left/driver roof rail module yellow connector to the vehicle harness yellow connector.
8. Install the CPA to the left roof rail module yellow connector.
9. Install the left outer trim cover.

10. Connect the passenger/I/P module yellow connector (1) to the vehicle harness yellow connector (2).
11. Install the CPA to the I/P module yellow connector (1).
12. Install the passenger/right outer trim cover to the instrument panel (I/P) (3).



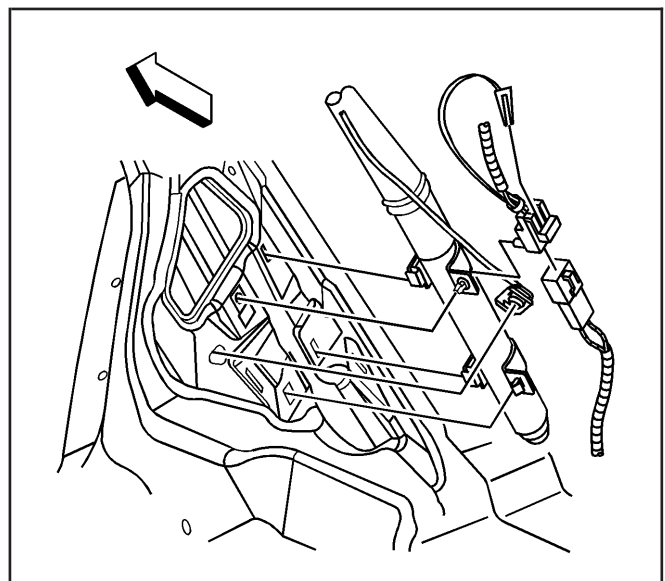
816857

13. Connect the right/pretensioner connector.
14. Install the connector position assurance (CPA) to the right/pretensioner connector.
15. Install the trim panel to the high mount stop lamp.
16. Install the coat hooks.

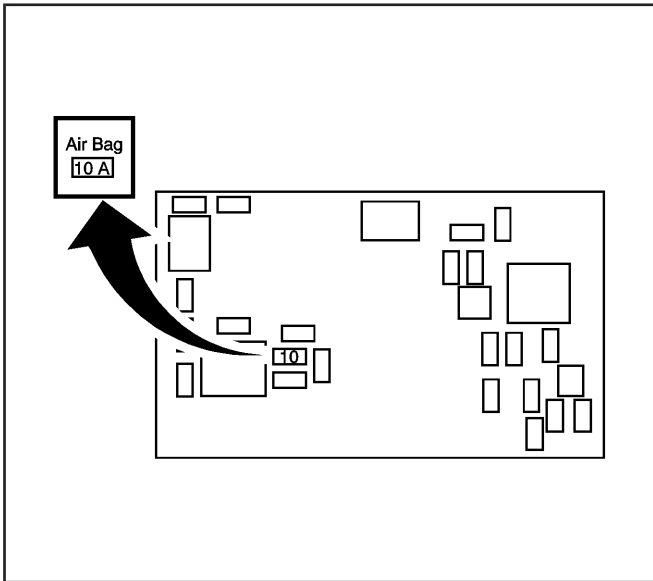


899819

17. Connect the passenger/right roof rail module yellow connector to the vehicle harness yellow connector.
18. Install the CPA to the right roof rail module yellow connector.
19. Install the garnish molding to the upper lock pillar.

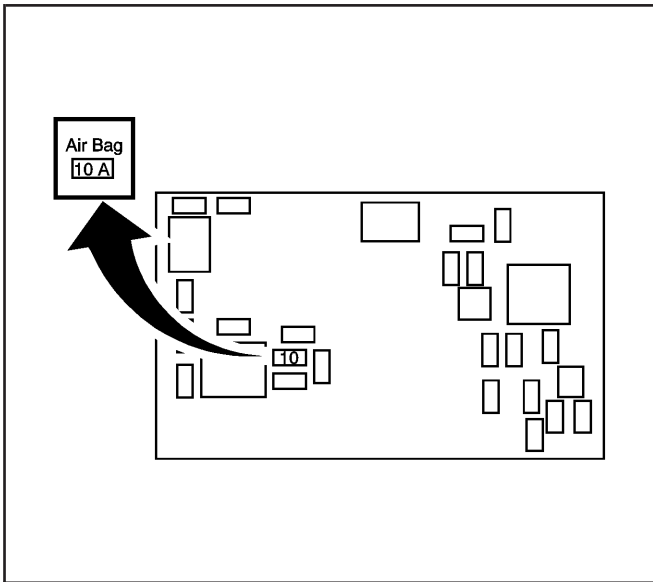


899820



893538

20. Install the AIR BAG fuse into the body control module fuse center.
21. Install the body control module fuse center cover.
22. Use caution while reaching in and turn the ignition switch to the ON position.
The AIR BAG indicator will flash then turn OFF.
23. Perform the SIR Diagnostic System Check if the AIR BAG warning indicator does not operate as described.

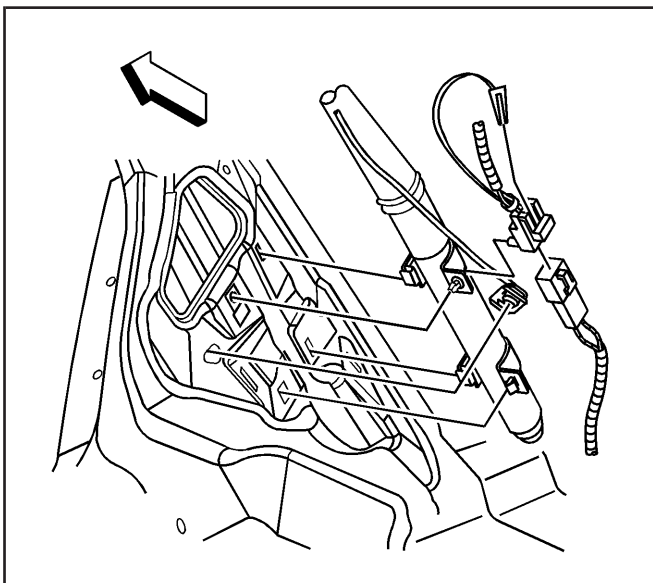


893538

SIR Disabling and Enabling Zone 8 (Sedan)

Disabling Procedure

1. Turn the steering wheel so that the vehicle's wheels are pointing straight ahead.
2. Turn the ignition switch to the OFF position.
3. Remove the key from the ignition switch.
4. Locate the body control module fuse center then remove the fuse center cover.



899820

Important: With the AIR BAG fuse removed and the ignition switch in the ON position, the AIR BAG warning indicator illuminates. This is normal operation, and does not indicate an SIR system malfunction.

5. Locate and remove the AIR BAG fuse from the body control module fuse center.
6. Remove the garnish molding from the upper lock pillar.
7. Remove the connector position assurance (CPA) from the right/passenger roof rail module yellow connector.
8. Disconnect the right roof rail module yellow connector from the vehicle harness yellow connector.