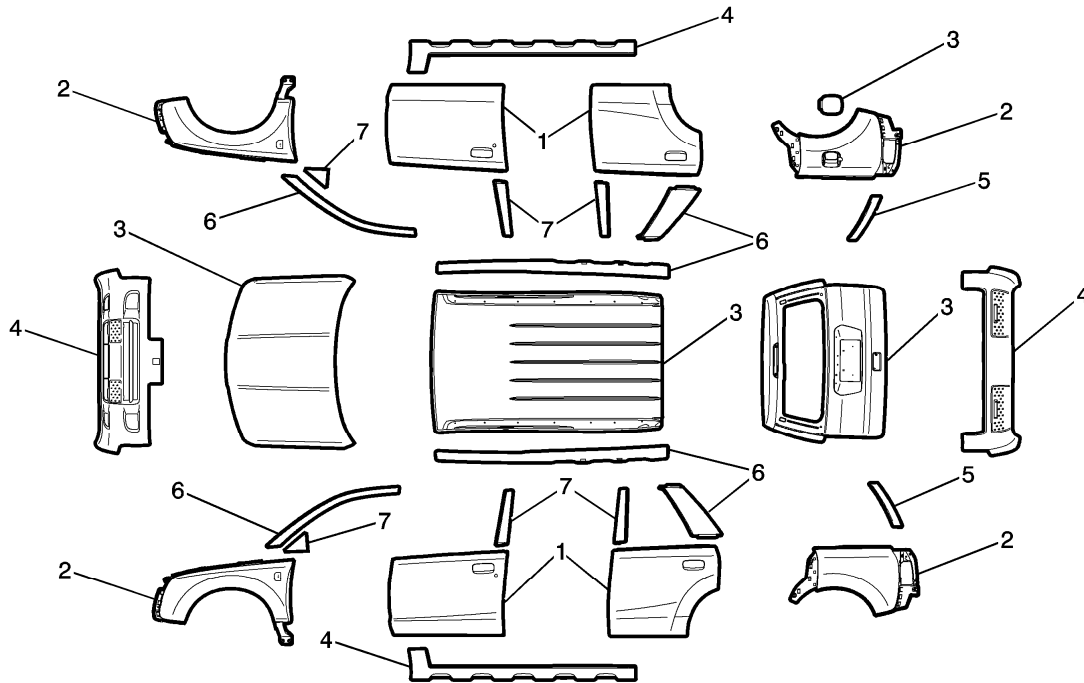


Panel Identification

Exterior body panels are constructed of various materials. This is due to increased dent and corrosion resistance of modern composites. All vertical panels: fenders, doors, quarter and rocker panels are made from rigid thermoplastic. Front and rear fascias, bumper covers, are constructed of thermoplastic olefin (TPO) (4). Hood, roof, and deck are steel (3).

Different materials require different procedures for repair and refinishing. Before starting any repair, identify the type of material involved and follow the correct procedure.



- (1) ABS + PC
- (2) PA + PPE
- (3) Steel
- (4) ELP TPO
- (5) PC
- (6) PETP
- (7) ASA

Identifying Symbol	Chemical Composition or Plastic "Family" Name	Typical Area where Used	Common or Trade Names
PE	Polyethylene	Inner Fender Panels, Valances, Spoilers, Inner Trim Panels, Seatbelt Covers, Gas Tank Shields	Dylan, Fortiflex, Marlex, Alathon, Hi-Fax, Hosalen, Paxon
PP	Polypropylene	Kick Panels, Deflector Panels, Cowl Panels, Interior Moldings, Radiator Shrouds, Inner Fenders, Bumper Covers	Profax, Oleflo, Marlex, Azdel, Novolen, Tenite, Daplen, Escorene
ABS	Acrylonitrile/Butadine/Styrene	Instrument Clusters, Trim Moldings, Consoles, Armrest Supports, Steering Column Jackets	ABS, Cycolac, Abson, Kralastic, Lustran, Absafil, Dyel
ABS + PC	Acrylonitrile/Butadine-Styrene + Polycarbonate	Instrument Panels, Exterior Door Panels, Rocker Panel Covers	Babyland, Proloy, Cycoloy, KHA
TPO	Ethylene/Polypropylene (Rubber)	Bumper Covers	TPO, TPR (Thermoplastic Rubber) EPI, EPII
PA + PPE	Polyamide + Polyphenylene Ether	Fenders	GTX