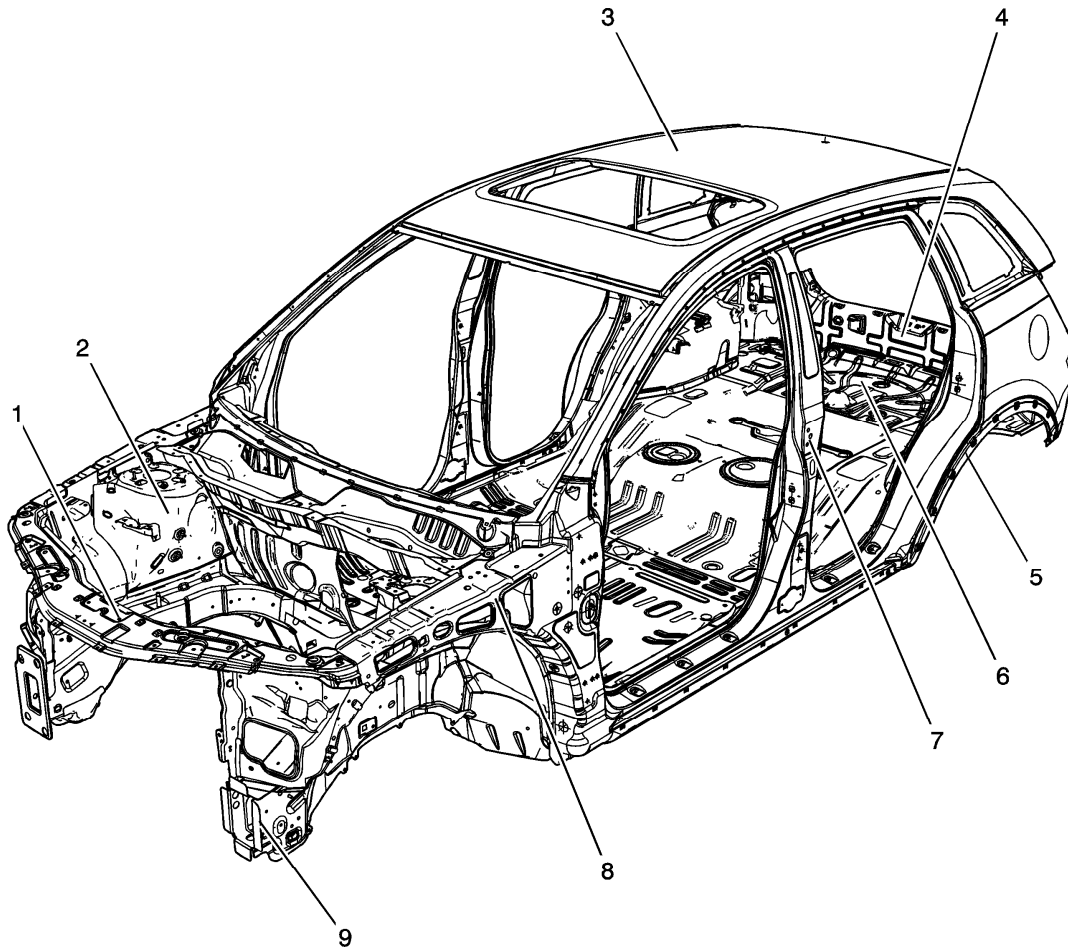


---

# Structure Identification



Number	Description	Material	Procedure
1	Radiator Support Assembly	<a href="#">Mild Steel</a>	<a href="#">Tie Bar Replacement</a>
2	Front Wheelhouse Assembly	<a href="#">Mild Steel</a>	<ul style="list-style-type: none"><li>• <a href="#">Front Wheelhouse Replacement</a></li><li>• <a href="#">Front Wheelhouse Extension Replacement</a></li></ul>
3	Roof Panel	<a href="#">Mild Steel</a>	<a href="#">Roof Outer Panel Replacement</a>
4	Rear End Panel	<a href="#">Mild Steel</a>	<a href="#">Body Rear End Panel Replacement</a>

5	Rear Rail	<a href="#">High Strength Low Alloy Steel</a>	<ul style="list-style-type: none"> <li>• <a href="#">Rear Rail End Replacement</a></li> <li>• <a href="#">Rail Replacement - Rear Section</a></li> </ul>
6	Rear Floor Panel	<a href="#">Mild Steel</a>	<a href="#">Rear Floor Panel Replacement</a>
7	Body Side Outer	<a href="#">Mild Steel</a>	<ul style="list-style-type: none"> <li>• <a href="#">Front Hinge Pillar Body Sectioning</a></li> <li>• <a href="#">Center Pillar Sectioning</a></li> <li>• <a href="#">Quarter Panel Sectioning</a></li> </ul>
8	Upper Rail	<a href="#">Mild Steel</a>	<a href="#">Front Compartment Upper Side Rail Replacement</a>
9	Front Rail	<a href="#">High Strength Low Alloy Steel</a>	<ul style="list-style-type: none"> <li>• <a href="#">Front Compartment Front Rail Replacement</a></li> <li>• <a href="#">Front Compartment Front Side Lower Inner Rail Replacement</a></li> <li>• <a href="#">Underbody Outer Front Side Rail Replacement</a></li> </ul>