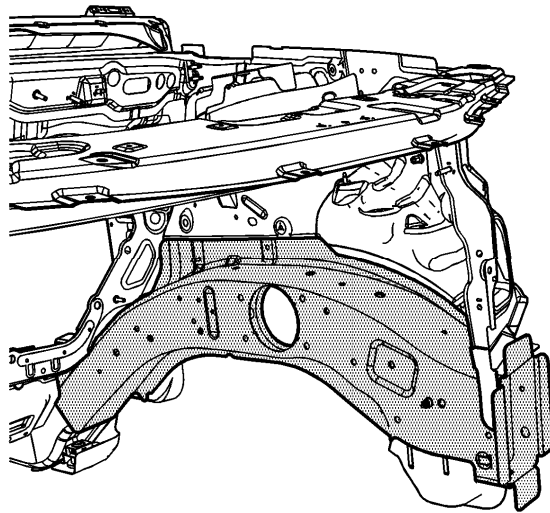


Front Compartment Front Side Lower Inner Rail Replacement

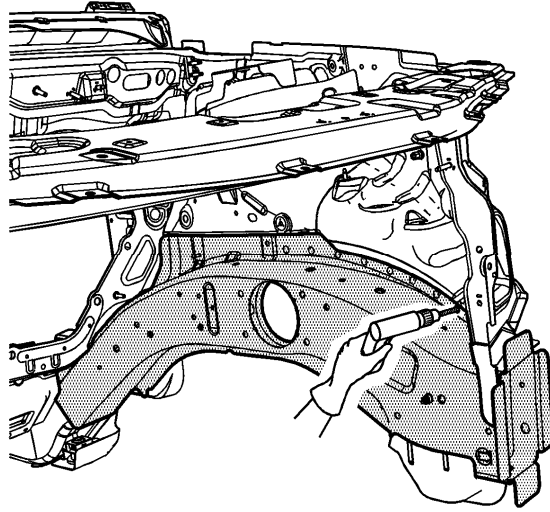
Removal Procedure

Caution: Refer to [Approved Equipment for Collision](#) Repair Caution in Cautions and Notices.



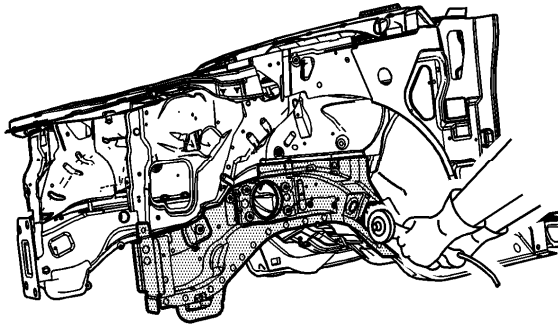
1. Disable the supplemental inflatable restraint (SIR) system. Refer to [SIR Disabling and Enabling](#).
2. Disconnect the negative battery cable. Refer to [Battery Negative Cable Disconnection and Connection](#).
3. Remove all related panels and components
4. Repair as much of the damage as possible to factory specifications. Refer to [Battery Negative Cable Disconnection and Connection](#).

5. Note the location and remove the sealers and anti-corrosion materials from the repair area, as necessary. Refer to [Anti-Corrosion Treatment and Repair](#) .

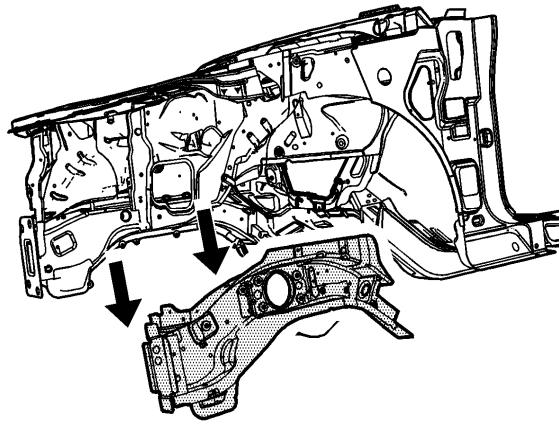


Important: Do not damage any inner panels or reinforcements.

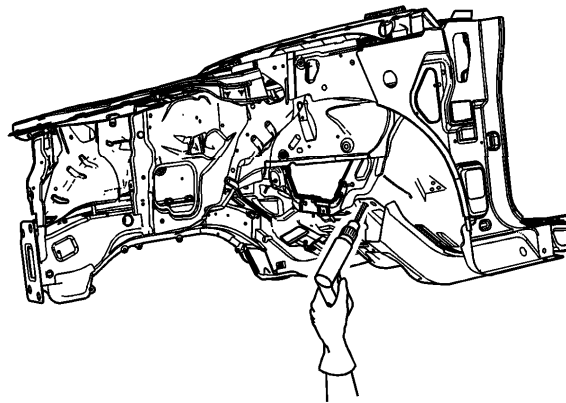
6. Locate and drill out all factory welds. Note the number and location of the welds for installation of the front inner rail - front half.



7. Cut rail behind reinforcement to gain access to hidden welds.

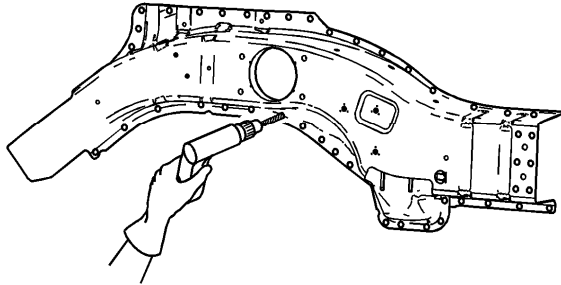


8. Remove the damaged rail from the vehicle.



9. Drill out the welds and remove the remaining portion of the rail.

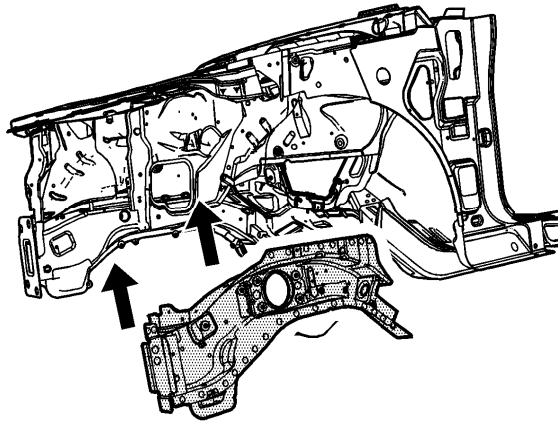
[Installation Procedure](#)



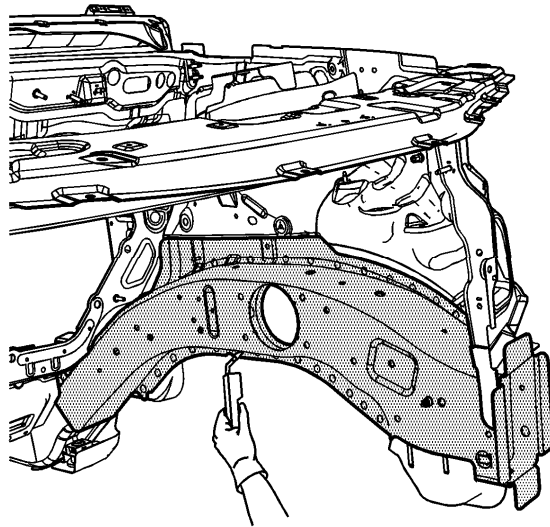
Important: If the location of the original plug weld holes can not be determined, space the plug weld holes every 40 mm (1 ½ in) apart.

Some panels may have structural weld-thru adhesive. It is necessary to replace the weld-thru adhesive with an additional spot weld between each factory spot weld.

1. Drill 8 mm (5/16 in) plug weld holes in the service part as necessary in the locations noted from the original panel.
2. Prepare all mating surfaces as necessary.
3. Apply GM-approved Weld-Thru Coating or equivalent to all mating surfaces. Refer to [Anti-Corrosion Treatment and Repair](#).



4. Position the front inner rail - front half to the vehicle using 3-dimensional measuring equipment. Clamp the front lower inner rail - front half into place.



5. Plug weld accordingly.
6. Clean and prepare all welded surfaces.
7. Apply the sealers and anti-corrosion materials to the repair area, as necessary. Refer to [Anti-Corrosion Treatment and Repair](#).
8. Paint the repair area. Refer to [Basecoat/Clearcoat Paint Systems](#).
9. Install all related panels and components.
10. Connect the negative battery cable. Refer to [Battery Negative Cable Disconnection and Connection](#).
11. Enable the SIR system. Refer to [SIR Disabling and Enabling](#).

